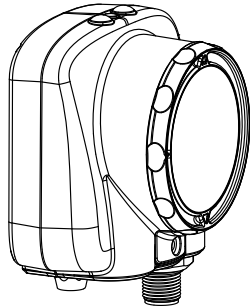


iVu Plus Barcode Reader (BCR) Image Sensor with Integrated Display



Datasheet

The iVu Plus BCR package consists of lighting, sensor, lens, and display. This version of the iVu Plus has an integrated display to set up and monitor inspections. Cables and mounting brackets can be ordered for each application. Additionally, other lenses, filters, and external lights are available.



Features

- No PC required to configure the sensor
- Image processing expertise is not required
- Multiple inspections that facilitate storing and controlling up to 30 inspections for fast product turnover
- USB port for uploading and downloading of inspections and log files for easy updating and diagnostics
- Integrated color touch screen display
- Ethernet communications for communication with the sensor
- A RS-232 serial communications port that is used to output barcode data to other applications
- High speed processing

The iVu Plus BCR reads the following barcode types:

- DataMatrix (ECC 200) barcodes
- QR Code (QR and Micro QR)
- Linear barcodes: Code128, Code39, CODABAR, Interleaved 2 of 5, EAN13, EAN8, UPCE, Postnet, IMB, and Pharmacode



WARNING: Not To Be Used for Personnel Protection

Never use this device as a sensing device for personnel protection. Doing so could lead to serious injury or death. This device does not include the self-checking redundant circuitry necessary to allow its use in personnel safety applications. A sensor failure or malfunction can cause either an energized or de-energized sensor output condition.

Models

Ring Light Options	Micro Video Lens Options						C-Mount Lens Options
	4.3 mm	6 mm	8 mm	12 mm	16 mm	25 mm	
None	IVUPTBX04	IVUPTPX06	IVUPTBX08	IVUPTBX12	IVUPTBX16	IVUPTBX25	IVUPTBXC
Red	IVUPTBR04	IVUPTBR06	IVUPTBR08	IVUPTBR12	IVUPTBR16	IVUPTBR25	N/A
Blue	IVUPTBB04	IVUPTBB06	IVUPTBB08	IVUPTBB12	IVUPTBB16	IVUPTBB25	N/A
Green	IVUPTBG04	IVUPTBG06	IVUPTBG08	IVUPTBG12	IVUPTBG16	IVUPTBG25	N/A
IR	IVUPTBI04	IVUPTBI06	IVUPTBI08	IVUPTBI12	IVUPTBI16	IVUPTBI25	N/A
White	IVUPTBW04	IVUPTBW06	IVUPTBW08	IVUPTBW12	IVUPTBW16	IVUPTBW25	N/A
UV 365 ¹	IVUPTB604	IVUPTB606	IVUPTB608	IVUPTB612	IVUPTB616	IVUPTB625	N/A
UV 395 ¹	IVUPTB904	IVUPTB906	IVUPTB908	IVUPTB912	IVUPTB916	IVUPTB925	N/A



Note: This product emits UV light. Exempt Risk Group (RG 0) product. No optical hazard is considered reasonably foreseeable, even for continuous, unrestricted use (IEC 62471).

¹ Blue Filter Kit (FLTMB) included with UV models.

Specifications

Power Connection

12-pin Euro-style (M12) male connector; accessory cable required for operation

USB 2.0 Host

4-pin Pico (M8) female connector; optional USB cable required for operation of USB flash drive

Ethernet Connection

4-pin Pico (M8) male connector

Power Requirements

Voltage: 10 to 30 V dc

Current: 1 A maximum (exclusive of I/O load)

Output Configuration

NPN or PNP, software selectable

Demo Mode

Full tool functionality on canned images

Sensor Lock

Optional password protection

Integrated Ring Light

Models with Red, IR, Green, Blue, White or no integrated ring light

Output Rating

150 mA

Acquisition

60 fps (frames per second)²

Exposure Time

0.1 ms to 1.049 s

Imager

1/3 inch CMOS 752 × 480 pixels; adjustable Field of View (FOV)

Lens Mount

Micro Video Lens models: M 12 × 1 mm thread; micro video lens 4.3, 6, 8, 12, 16, 25 mm

C-Mount models: Standard C-mount (1 inch-32 UN)

Construction

Black PBT sensor housing; acrylic window

Weight: 0.37 kg (0.82 lbs)

Environmental Rating

IEC IP67

Operating Conditions

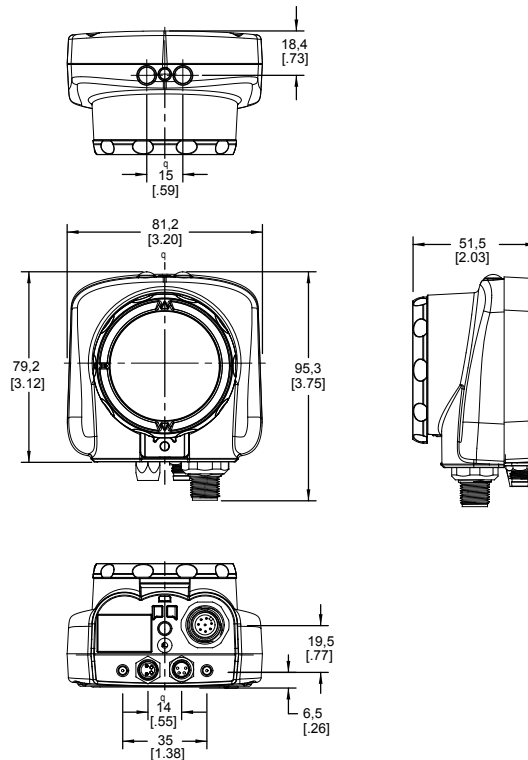
Stable Ambient Temperature: 0 °C to +45 °C (+32 °F to +113 °F)

Certifications



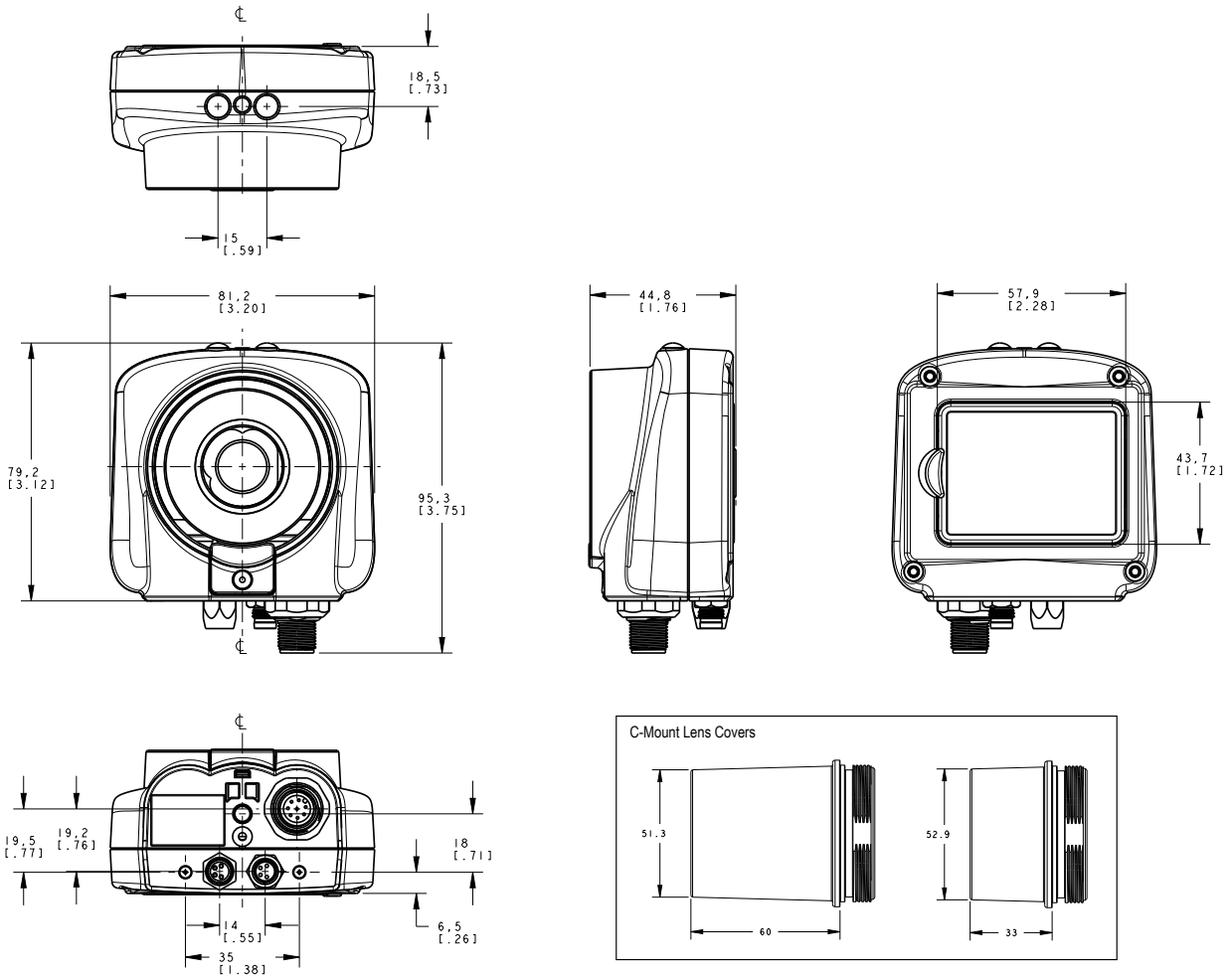
Dimensions

Micro Video Lens Dimensions



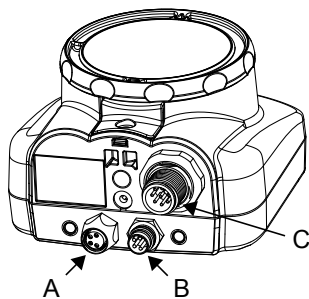
² This value can vary based on inspection settings.

C-Mount Lens Dimensions



Cable Connections for Integrated Display

The cable connections on the iVu Plus with integrated display are shown below, and power I/O connections (C) are defined in the **Power I/O Connections** table below.



- A USB Connector
- B Ethernet Connector
- C Power I/O Connector



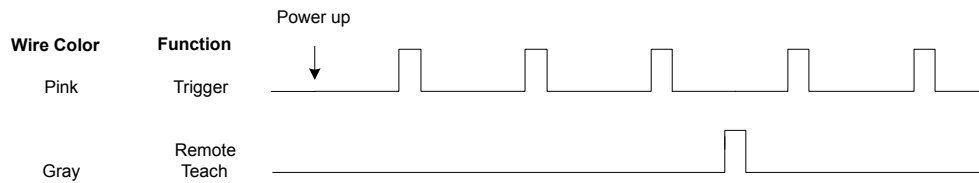
Note: Micro video lens model shown, C-Mount model connections are identical.

Power I/ O Connections			
Pin #	Wire Color	Description	Direction
1	White	Output 1	Output
2	Brown	10-30V dc	Input
3	Green	Output 2	Output
4	Yellow	Strobe Out (5V dc only)	Output
5	Gray	Remote Teach	Input
6	Pink	External Trigger	Input
7	Blue	Common (Signal Ground)	Input
8	Red	Ready	Output
9	Orange	Output 3	Output
10	Light Blue	RS-232 TX	Output
11	Black	RS-232 Signal Ground	Output
12	Violet	RS-232 Rx	Input

iVu Trigger, Remote Teach, and I/ O Waveforms

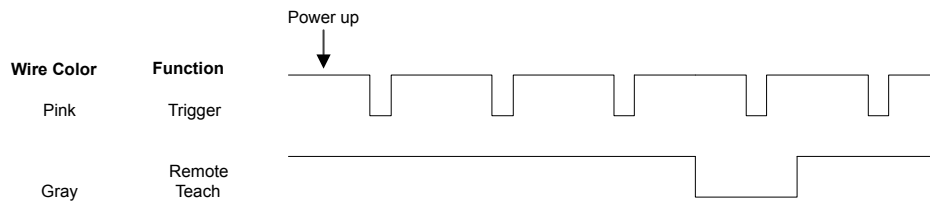
The iVu has two input signals—Trigger and Remote Teach. The default setting is to detect the low to high transition. This setting can be changed in the **Main Menu > System > Discrete I/ O > Input Polarity** screen on the sensor.

PNP (Low-to-High) Trigger and Remote Teach Input Waveforms



The sensor triggers from low to high, and Remote Teach behaves electrically like trigger.

NPN (High-to-Low) Trigger and Remote Teach Input Waveforms

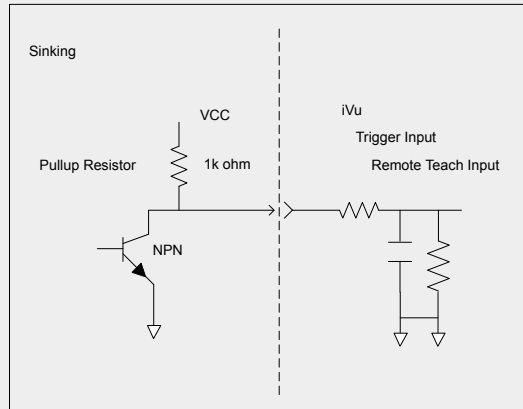


The sensor triggers from high to low, and Remote Teach behaves electrically like trigger.



Note: If the device used to trigger or remote teach the iVu Plus BCR is a sinking device, these are the options regarding the use of a pull-up resistor:

Option 1: Put a pull-up resistor, rated approximately 1k ohm, between the sensor's positive (+) voltage and the sensor's input as shown below.



Option 2: Enable the Input Pullup in the iVu Plus BCR software (**Main Menu > System > Discrete I/O > Input Pullup**).

iVu Output Waveforms

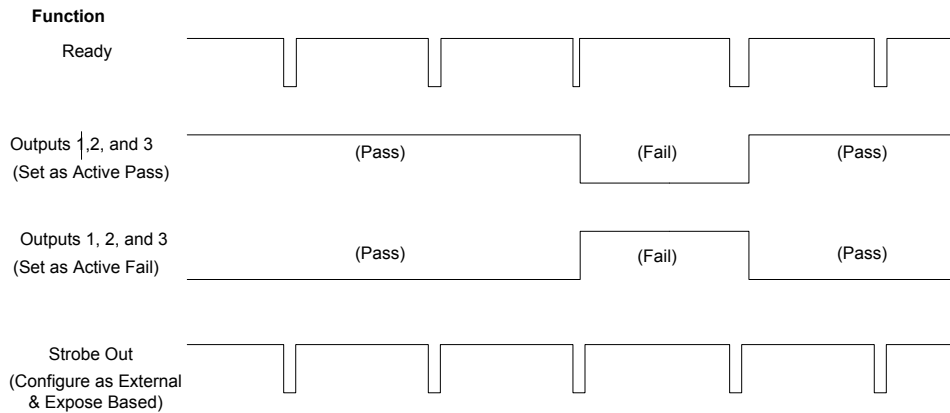


Figure 1. PNP Outputs

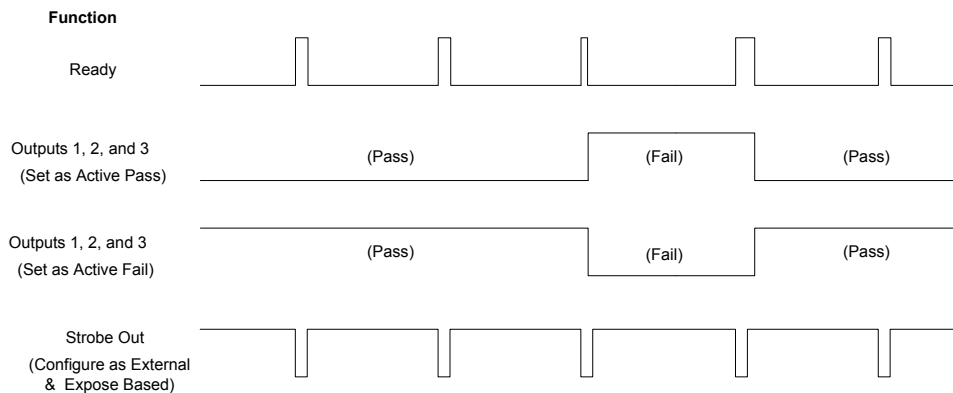


Figure 2. NPN Outputs

Accessories

Power Cable — Required

12-Pin M 12/ Euro-Style Cordsets with Open Shield				
Model	Length	Style	Dimensions	Pinout (Female)
M QDC2S-1206	1.83 m (6 ft)	Straight		<ul style="list-style-type: none"> 1 = White 2 = Brown 3 = Green 4 = Yellow 5 = Gray 6 = Pink 7 = Blue 8 = Red 9 = Orange 10 = Light Blue 11 = Black 12 = Violet
M QDC2S-1215	4.57 m (15 ft)			
M QDC2S-1230	9.14 m (30 ft)			
M QDC2S-1250	15.2 m (50 ft)			
M QDC2S-1275	22.9 m (75 ft)			
M QDC2S-1206RA	1.83 m (6 ft)	Right Angle		
M QDC2S-1215RA	4.57 m (15 ft)			
M QDC2S-1230RA	9.14 m (30 ft)			
M QDC2S-1250RA	15.2 m (50 ft)			
M QDC2S-1250RA	15.2 m (50 ft)			

Ethernet Cable Options

RJ45 Ethernet to 4-Pin Threaded M8/ Pico-Style Cordsets				
Model	Length	Style	Dimensions	Pinout
IVUC-E-406	1.83 m (6 ft)	Cat5e Shielded		<ul style="list-style-type: none"> 1 = Blue 2 = White/Blue 3 = White/Orange 4 = Orange
IVUC-E-415	4.57 m (15 ft)			
IVUC-E-430	9.14 m (30 ft)			
IVUC-E-450	15.2 m (50 ft)			
IVUC-E-475	22.9 m (75 ft)			

USB Cable — Optional

4-Pin Threaded M8/ Pico-Style to USB Cordsets with Shield—Double Ended				
Model	Length	Style	Dimensions	Pinout
PSG-4M -4005-USB	0.15 m (6 in)	Straight Pico QD/ USB		<ul style="list-style-type: none"> 1 = Red 2 = White 3 = Black 4 = Green
PSG-4M -401-USB	0.31 m (1 ft)			
PSG-4M -403-USB	0.91 m (3 ft)			
PSG-4M -410-USB	3 m (10 ft)			

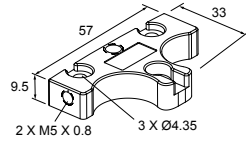
USB Flash Drive — Optional

Model	Description
IVU-USBFD2	USB Flash Drive 2 GB

Brackets

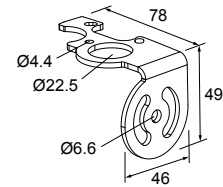
SM BIVUB

- Bottom mounting bracket
- Black anodized aluminum
- Hardware included



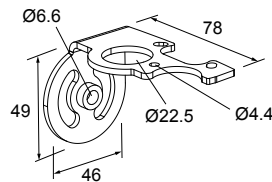
SM BIVURAL

- Right-angle bracket for mounting sensor from the left
- 12-ga. stainless steel
- Hardware included



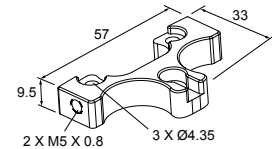
SM BIVURAR

- Right-angle bracket for mounting sensor from right
- 12-ga. stainless steel
- Hardware included



SM BIVUU

- U-shaped swivel bracket kit
- 14-ga. stainless steel
- Hardware included



Note: Use cables with right-angle connectors with this bracket kit.

Micro Video Lens Accessories

Micro Video Lens Models

Model	Lens Description
LM F04 ³	4.3 mm lens
LM F06	6 mm lens
LM F08	8 mm lens
LM F12	12 mm lens
LM F16	16 mm lens
LM F25	25 mm lens

Micro Video Lens Filters — Optional

Model	Description
FLTM R2	Red and dark red filter kit
FLTM I	Infrared filter kit
FLTM B	Blue filter kit
FLTM G	Green filter kit

³ Due to the flexibility of the replaceable lenses, focus mechanism, and imager field-of-view settings, it is possible with the 4.3 mm lens to experience reflections from the internal strobe on the inspection image. To eliminate this effect, the field-of-view can be limited to the system default of 320×240 (or 640×480 for fine), the working distance to the object should be no more than about 8 inches, or an external strobe should be used instead of the internal ring light.

C-M ount Lens Accessories

C-M ount Lens Models

Model	Lens Description
LCF04	4 mm Lens - no threads for filter
LCF08	8 mm Lens - no threads for filter
LCF12	12 mm Lens - no threads for filter
LCF16	16 mm Lens, aperture lock - no threads for filter
LCF25R	25mm lens
LCF25LR	25mm lens with focus locking
LCF50L1R	50mm lens with focus locking, plastic
LCF50L2R	50mm lens with focus locking, metal (will not fit ring)
LCF75LR	75mm lens with focus locking, metal (will not fit ring)

C-M ount Lens Enclosure Choices

Model	Description
IVUSLC50-P	Sealed C-mount lens enclosure
IVUSLC75-P	

C-M ount Lens Filters — Optional

Model	Description
FLTR	Red filter kit
FLTB	Blue filter kit
FLTG	Green filter kit
FLTI	IR Filter kit

Banner Engineering Corp. Limited Warranty

Banner Engineering Corp. warrants its products to be free from defects in material and workmanship for one year following the date of shipment. Banner Engineering Corp. will repair or replace, free of charge, any product of its manufacture which, at the time it is returned to the factory, is found to have been defective during the warranty period. This warranty does not cover damage or liability for misuse, abuse, or the improper application or installation of the Banner product.

THIS LIMITED WARRANTY IS EXCLUSIVE AND IN LIEU OF ALL OTHER WARRANTIES WHETHER EXPRESS OR IMPLIED (INCLUDING, WITHOUT LIMITATION, ANY WARRANTY OF MERCHANTABILITY OR FITNESS FOR A PARTICULAR PURPOSE), AND WHETHER ARISING UNDER COURSE OF PERFORMANCE, COURSE OF DEALING OR TRADE USAGE.

This Warranty is exclusive and limited to repair or, at the discretion of Banner Engineering Corp., replacement. **IN NO EVENT SHALL BANNER ENGINEERING CORP. BE LIABLE TO BUYER OR ANY OTHER PERSON OR ENTITY FOR ANY EXTRA COSTS, EXPENSES, LOSSES, LOSS OF PROFITS, OR ANY INCIDENTAL, CONSEQUENTIAL OR SPECIAL DAMAGES RESULTING FROM ANY PRODUCT DEFECT OR FROM THE USE OR INABILITY TO USE THE PRODUCT, WHETHER ARISING IN CONTRACT OR WARRANTY, STATUTE, TORT, STRICT LIABILITY, NEGLIGENCE, OR OTHERWISE.**

Banner Engineering Corp. reserves the right to change, modify or improve the design of the product without assuming any obligations or liabilities relating to any product previously manufactured by Banner Engineering Corp. Any misuse, abuse, or improper application or installation of this product or use of the product for personal protection applications when the product is identified as not intended for such purposes will void the product warranty. Any modifications to this product without prior express approval by Banner Engineering Corp will void the product warranties. All specifications published in this document are subject to change; Banner reserves the right to modify product specifications or update documentation at any time. Specifications and product information in English supersede that which is provided in any other language. For the most recent version of any documentation, refer to:

www.bannerengineering.com.

