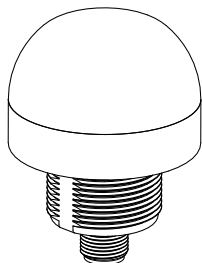


# K50 Core Series General Purpose Indicator



## Datasheet

50 mm Multicolor LED Indicator



- Bright, uniform indicator light
- Rugged IP69K per DIN 40050-9 and IEC IP67-rated design
- 18 V DC to 30 V DC operation
- Operate up to three colors in one device
- Up to six colors to choose from
- PNP or NPN models available
- Variety of connector options

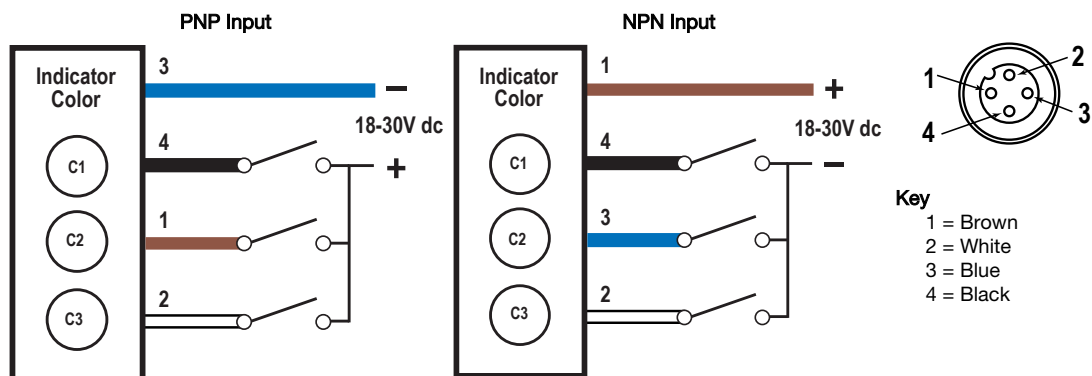
## Models

Family	LED Color	Input	Connector
K50L	G R Y C1 C2 C3	P	Q
K50L K50FL	G = Green R = Red Y = Yellow B = Blue W = White O = Orange X = No Color**	P = PNP N = NPN	Blank = 2 m Integral Cable Q = 4-pin integral M12/Euro-style quick disconnect* QP = 150 mm PVC cable with 4-pin M12/Euro-style quick disconnect* QPMA = 150 mm PUR cable with 4-pin M12/Euro-style quick disconnect*

\*Models with a quick disconnect require a mating cordset.

\*\*LED color designated with X also indicates that the associated input wire is not used.

## Wiring



## Specifications

### Supply Voltage and Current

18 V DC to 30 V DC  
40 mA maximum current per color

### Supply Protection Circuitry

Protected against reverse polarity and transient voltages

### Leakage Current Immunity

400 µA

### Input Response Time

Indicator On/Off: 1 ms maximum

### Connections

Integral 4-pin M12/Euro-style male quick disconnect, or 150 mm (6 in) PVC cable with a quick disconnect, or 2 m (6.5 ft) integral PVC cable, depending on model

### Construction

Base and dome: Polycarbonate

### Mounting

M30 x 1.5 threaded base, maximum torque 4.5 N-m (40 in-lbf)  
Mounting nut included

### Indicator Characteristics

Color	Dominant Wavelength (nm) or Color Temperature (CCT)	Lumen Output (Typical at 25 °C)
Green	528 nm	20
Red	625 nm	6.0
Yellow	590 nm	20
Blue	470 nm	5.0
Orange	608 nm	11
White	6000 K	16

### Certifications



UL applies to K50L models only

### Environmental Rating

QD models meet IP69K per DIN 40050-9  
Cable models rated IEC IP67



**Note:** Cable models meet IP69K per DIN 40050-9 if the cable and cable entrance is protected from high-pressure spray.

### Vibration and Mechanical Shock

All models meet MIL-STD-202F, Method 201A (Vibration: 10 Hz to 60 Hz maximum, 0.06 inch (1.52 mm) double amplitude, 10G maximum acceleration) requirements. Also meets IEC 60947-5-2 (Shock: 30G 11 ms duration, half sine wave) requirements.

### Operating Conditions

-40 °C to +50 °C (-40 °F to +122 °F)

### Required Overcurrent Protection



**WARNING:** Electrical connections must be made by qualified personnel in accordance with local and national electrical codes and regulations.

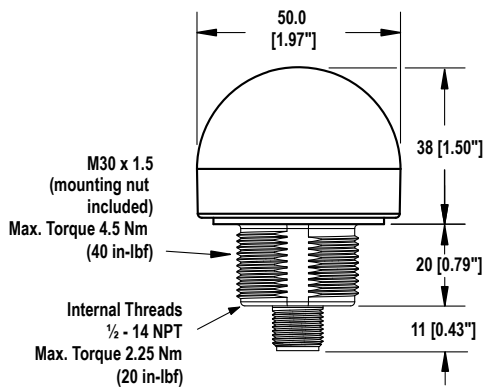
Overcurrent protection is required to be provided by end product application per the supplied table. Overcurrent protection may be provided with external fusing or via Current Limiting, Class 2 Power Supply. Supply wiring leads < 24 AWG shall not be spliced. For additional product support, go to [www.bannerengineering.com](http://www.bannerengineering.com).

Supply Wiring (AWG)	Required Overcurrent Protection (Amps)
20	5.0
22	3.0
24	2.0
26	1.0
28	0.8
30	0.5

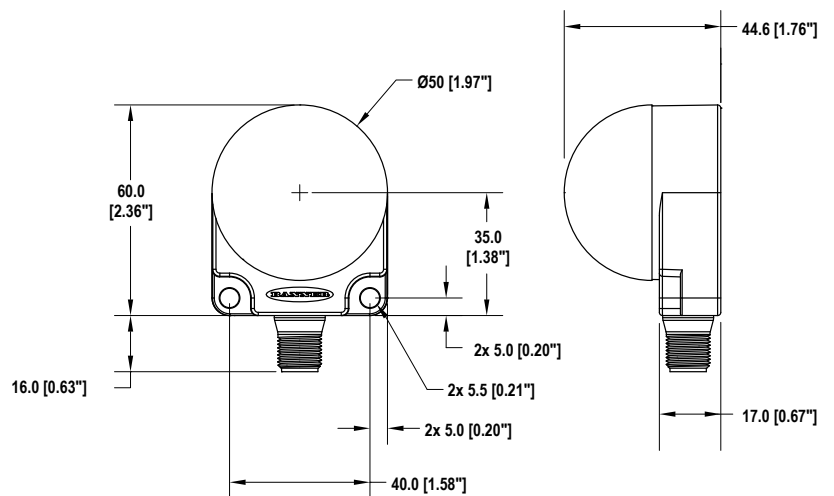
## Dimensions

All measurements are listed in millimeters [inches], unless noted otherwise.

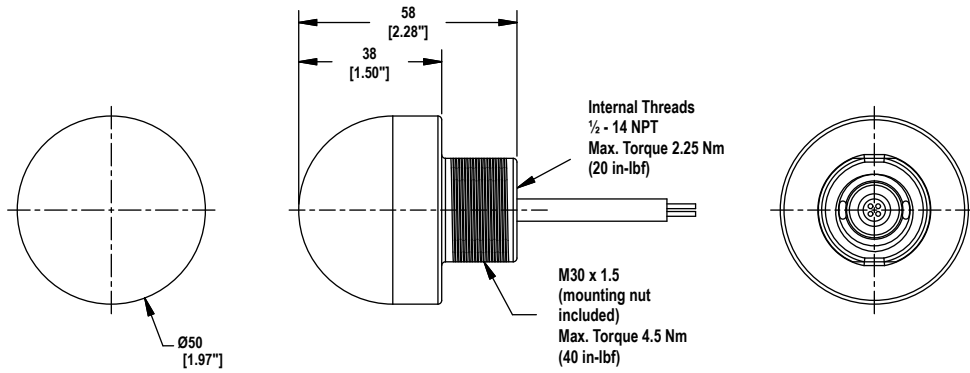
K50L Models



K50FL Models



**K50L Cabled Models**



Accessories

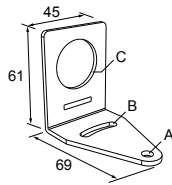
Cordsets

4-Pin Threaded M12/Euro-Style Cordsets—Single Ended				
Model	Length	Style	Dimensions	Pinout (Female)
MQDC-406	2 m (6.56 ft)	Straight		<p>1 = Brown 2 = White 3 = Blue 4 = Black</p>
MQDC-415	5 m (16.4 ft)			
MQDC-430	9 m (29.5 ft)			
MQDC-450	15 m (49.2 ft)	Right-Angle		
MQDC-406RA	2 m (6.56 ft)			
MQDC-415RA	5 m (16.4 ft)			
MQDC-430RA	9 m (29.5 ft)			
MQDC-450RA	15 m (49.2 ft)			

Brackets

**SMB30A**

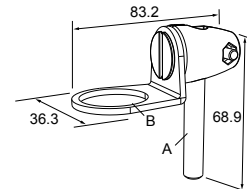
- Right-angle bracket with curved slot for versatile orientation
- Clearance for M6 (1/4 in) hardware
- Mounting hole for 30 mm sensor
- 12-ga. stainless steel



Hole center spacing: A to B=40  
Hole size: A=ø 6.3, B= 27.1 x 6.3, C=ø 30.5

**SMB30FA**

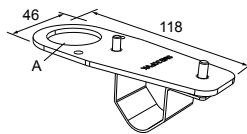
- Swivel bracket with tilt and pan movement for precise adjustment
- Mounting hole for 30 mm sensor
- 12-ga. 304 stainless steel
- Easy sensor mounting to extrude rail T-slot
- Metric and inch size bolt available



Bolt thread: SMB30FA, A= 3/8 - 16 x 2 in; SMB30FAM10, A= M10 - 1.5 x 50  
Hole size: B= ø 30.1

**SMB30FVK**

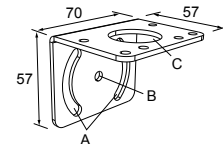
- V-clamp, flat bracket and fasteners for mounting to pipe or extensions
- Clamp accommodates 28 mm dia. tubing or 1 in. square extrusions
- 30 mm hole for mounting sensors



Hole size: A= ø 31

**SMB30MM**

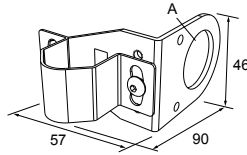
- 12-ga. stainless steel bracket with curved mounting slots for versatile orientation
- Clearance for M6 (1/4 in) hardware
- Mounting hole for 30 mm sensor



Hole center spacing: A = 51, A to B = 25.4  
Hole size: A = 42.6 x 7, B = ø 6.4, C = ø 30.1

**SMB30RAVK**

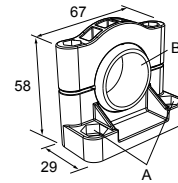
- V-clamp, right-angle bracket and fasteners for mounting sensors to pipe or extrusion
- Clamp accommodates 28 mm dia. tubing or 1 in. square extrusions
- 30 mm hole for mounting sensors



Hole size: A =  $\varnothing$  30.5

**SMB30SC**

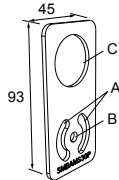
- Swivel bracket with 30 mm mounting hole for sensor
- Black reinforced thermoplastic polyester
- Stainless steel mounting and swivel locking hardware included



Hole center spacing: A= $\varnothing$  50.8  
Hole size: A= $\varnothing$  7.0, B= $\varnothing$  30.0

**SMBAMS30P**

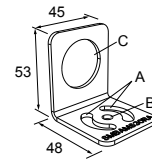
- Flat SMBAMS series bracket
- 30 mm hole for mounting sensors
- Articulation slots for 90°+ rotation
- 12-ga. 300 series stainless steel



Hole center spacing: A=26.0, A to B=13.0  
Hole size: A=26.8 x 7.0, B= $\varnothing$  6.5, C= $\varnothing$  31.0

**SMBAMS30RA**

- Right-angle SMBAMS series bracket
- 30 mm hole for mounting sensors
- Articulation slots for 90°+ rotation
- 12-ga. (2.6 mm) cold-rolled steel



Hole center spacing: A=26.0, A to B=13.0  
Hole size: A=26.8 x 7.0, B= $\varnothing$  6.5, C= $\varnothing$  31.0

## Banner Engineering Corp Limited Warranty

Banner Engineering Corp. warrants its products to be free from defects in material and workmanship for one year following the date of shipment. Banner Engineering Corp. will repair or replace, free of charge, any product of its manufacture which, at the time it is returned to the factory, is found to have been defective during the warranty period. This warranty does not cover damage or liability for misuse, abuse, or the improper application or installation of the Banner product.

**THIS LIMITED WARRANTY IS EXCLUSIVE AND IN LIEU OF ALL OTHER WARRANTIES WHETHER EXPRESS OR IMPLIED (INCLUDING, WITHOUT LIMITATION, ANY WARRANTY OF MERCHANTABILITY OR FITNESS FOR A PARTICULAR PURPOSE), AND WHETHER ARISING UNDER COURSE OF PERFORMANCE, COURSE OF DEALING OR TRADE USAGE.**

This Warranty is exclusive and limited to repair or, at the discretion of Banner Engineering Corp., replacement. **IN NO EVENT SHALL BANNER ENGINEERING CORP. BE LIABLE TO BUYER OR ANY OTHER PERSON OR ENTITY FOR ANY EXTRA COSTS, EXPENSES, LOSSES, LOSS OF PROFITS, OR ANY INCIDENTAL, CONSEQUENTIAL OR SPECIAL DAMAGES RESULTING FROM ANY PRODUCT DEFECT OR FROM THE USE OR INABILITY TO USE THE PRODUCT, WHETHER ARISING IN CONTRACT OR WARRANTY, STATUTE, TORT, STRICT LIABILITY, NEGLIGENCE, OR OTHERWISE.**

Banner Engineering Corp. reserves the right to change, modify or improve the design of the product without assuming any obligations or liabilities relating to any product previously manufactured by Banner Engineering Corp. Any misuse, abuse, or improper application or installation of this product or use of the product for personal protection applications when the product is identified as not intended for such purposes will void the product warranty. Any modifications to this product without prior express approval by Banner Engineering Corp will void the product warranties. All specifications published in this document are subject to change; Banner reserves the right to modify product specifications or update documentation at any time. Specifications and product information in English supersede that which is provided in any other language. For the most recent version of any documentation, refer to: [www.bannerengineering.com](http://www.bannerengineering.com).

For patent information, see [www.bannerengineering.com/patents](http://www.bannerengineering.com/patents).