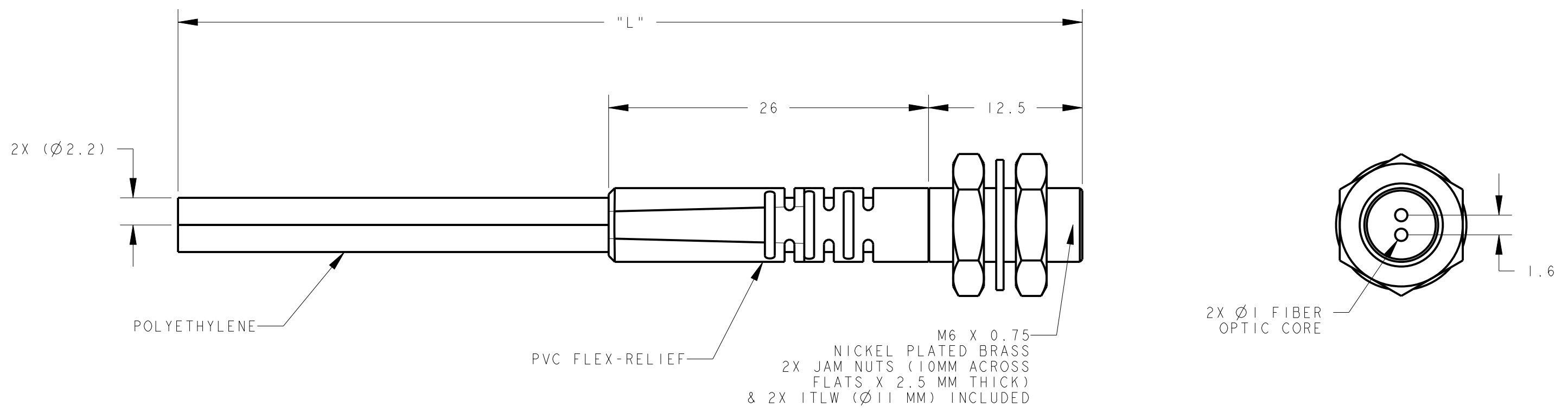


8	7	6	5	4	3	2	1
MODEL NO.	"L"	P/N					
PBT46U-VL	2000	87514					
PBT43U-VL	1000	87513					

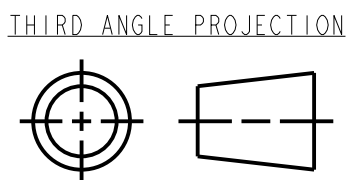
NOTES:

1. OPERATING TEMPERATURE -55°C ~ +70°C.
2. MINIMUM BEND RADIUS R25.



NOTES:
 1. ALL DIMENSIONS ARE MILLIMETERS [INCHES] UNLESS OTHERWISE NOTED.
 2. REFER TO "www.bannerengineering.com" FOR ADDITIONAL DATA AND SPECIFICATIONS.

This drawing is the property of BANNER ENGINEERING CORP. Any use or reproduction, in any form, without prior written permission of Banner is prohibited.
 © 2015 Banner Engineering Corp.



		BANNER ENGINEERING CORP. www.bannerengineering.com	
TITLE PBT4 VALUE LINE SERIES UNTERMINATED			
SIZE B	DRAWING NO. 178356	REV. B	
SCALE 3:1		SHEET 1 OF 1	

CREO