

8 7 6 5 4 3 2 1

D

C

B

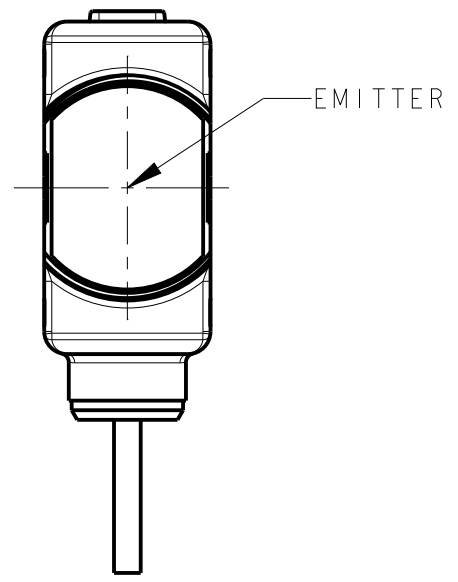
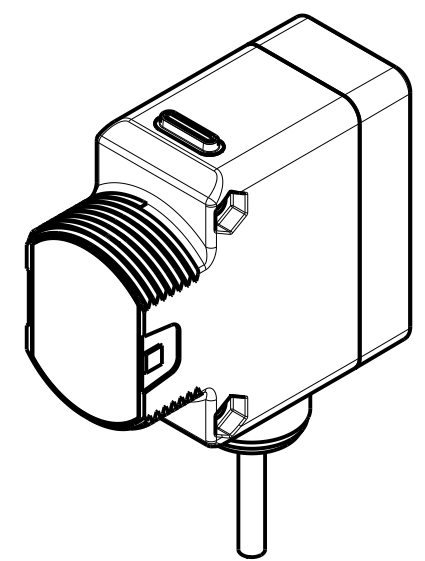
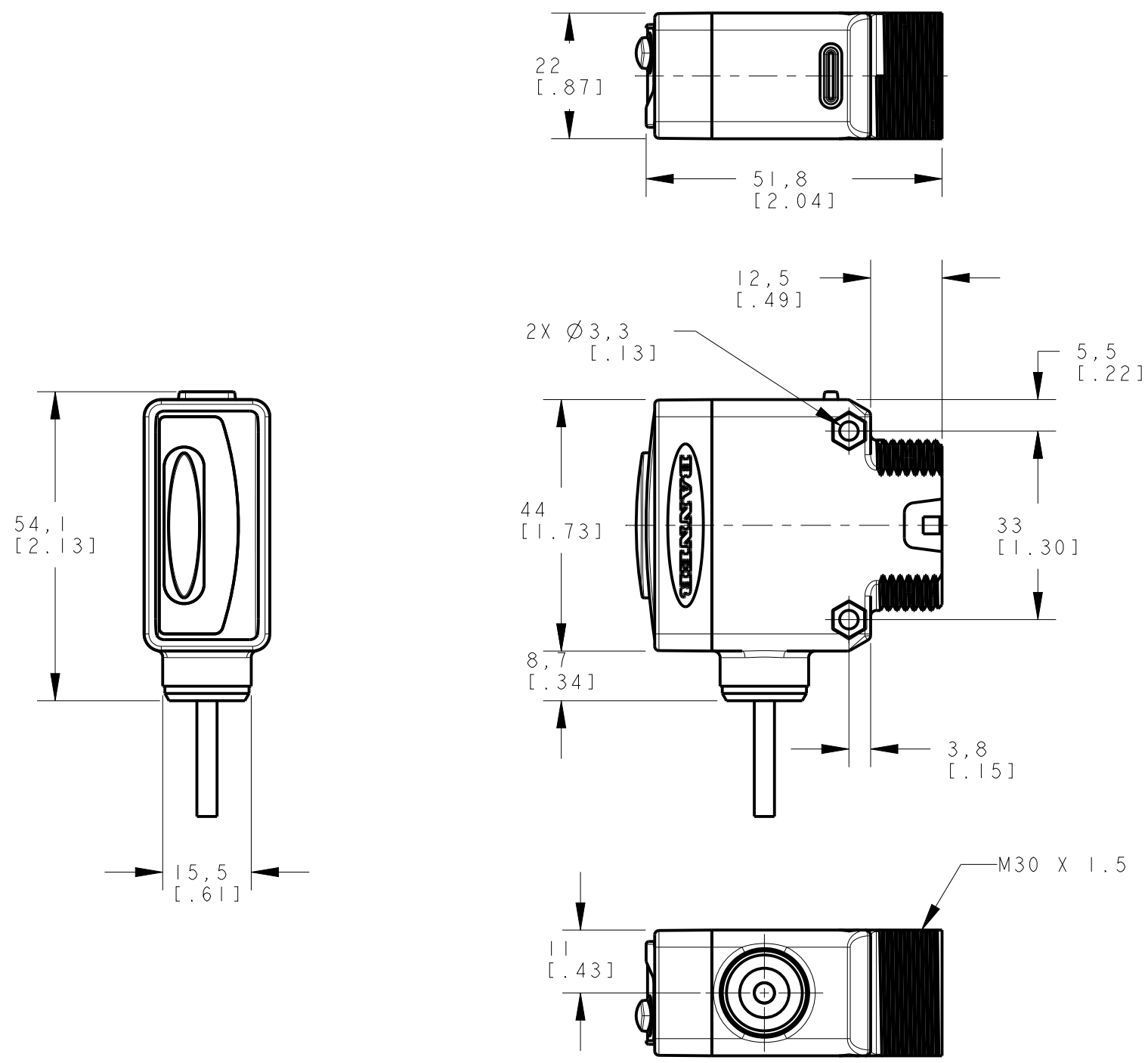
A

D

C

B

A

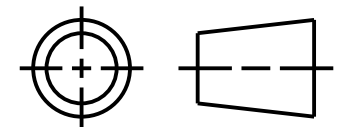


This drawing is the property of BANNER ENGINEERING CORP. Any use or reproduction, in any form, without prior written permission of Banner is prohibited. © 2015 Banner Engineering Corp.

BANNER BANNER ENGINEERING CORP.
www.bannerengineering.com

TITLE
**QS30H20R;
WEB ASSEMBLY**

THIRD ANGLE PROJECTION



| | | |
|--------------|------------------------------|------|
| SIZE B | DRAWING NO. 138507 | REV. |
| SCALE 1:1 | SHEET 1 OF 1 | |

NOTES:
1. ALL DIMENSIONS ARE MILLIMETERS [INCHES] UNLESS OTHERWISE NOTED.
2. REFER TO "www.bannerengineering.com" FOR ADDITIONAL DATA AND SPECIFICATIONS.

8 7 6 5 4 3 2 1 CREO