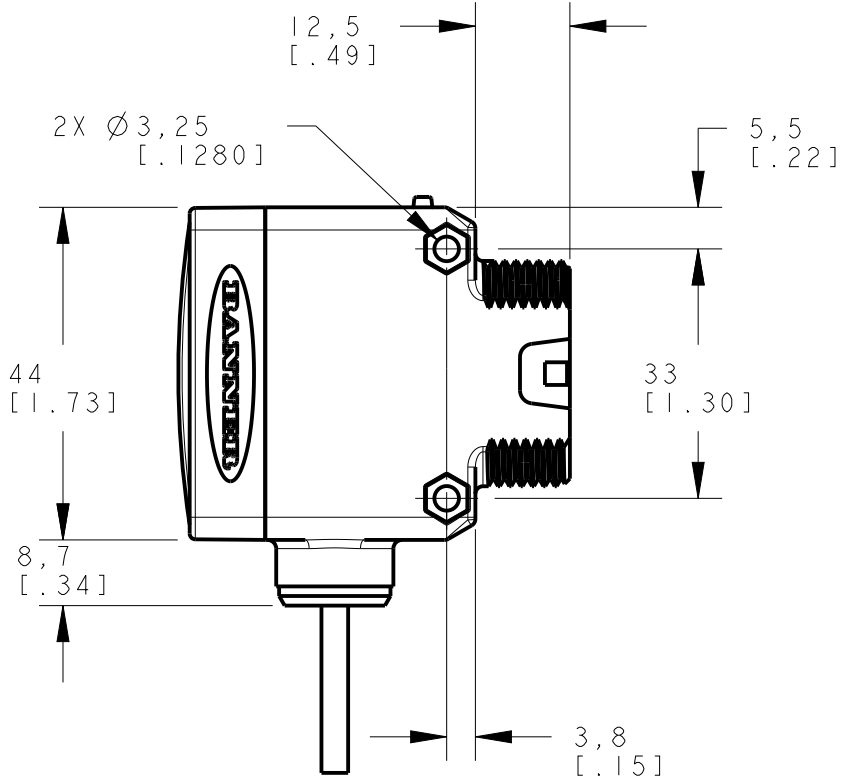
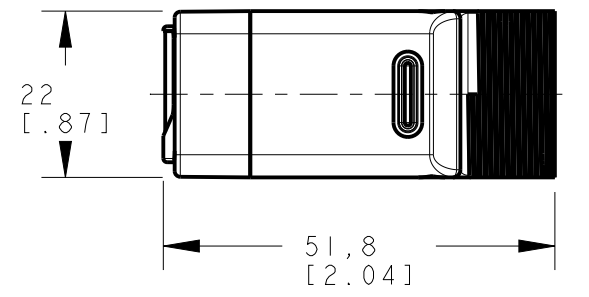
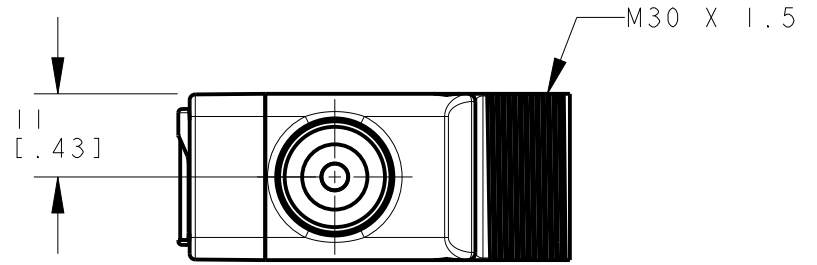
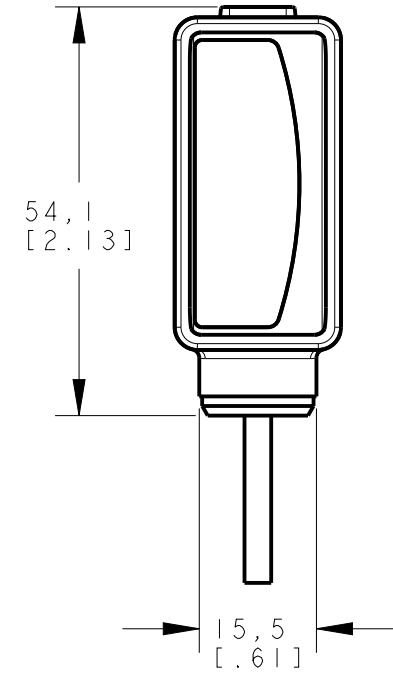


RECEIVER



2X Ø3,25 [.1280]



This drawing is the property of BANNER ENGINEERING CORP. Any use or reproduction, in any form, without prior written permission of Banner is prohibited. © 2015 Banner Engineering Corp.



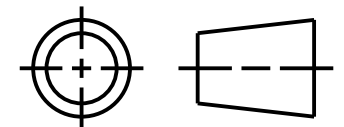
BANNER ENGINEERING CORP.
www.bannerengineering.com

TITLE
**QS30H20E;
WEB ASSEMBLY**

SIZE B	DRAWING NO. 138506	REV.
-----------	------------------------------	------

SCALE 1:1 SHEET 1 OF 1 CREO

THIRD ANGLE PROJECTION



NOTES:
1. ALL DIMENSIONS ARE MILLIMETERS [INCHES] UNLESS OTHERWISE NOTED.
2. REFER TO "www.bannerengineering.com" FOR ADDITIONAL DATA AND SPECIFICATIONS.