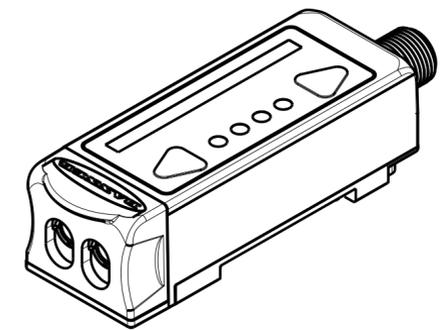
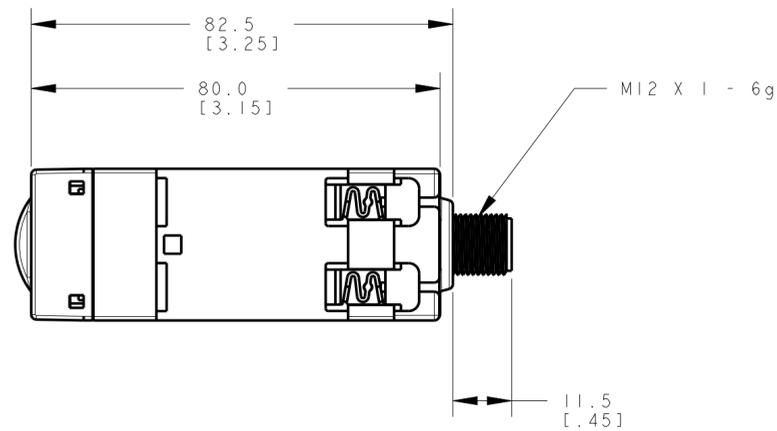
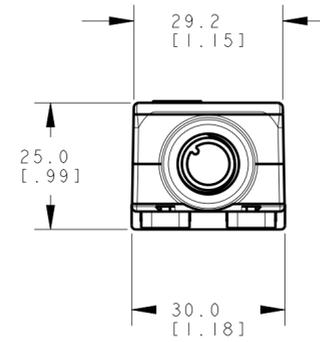
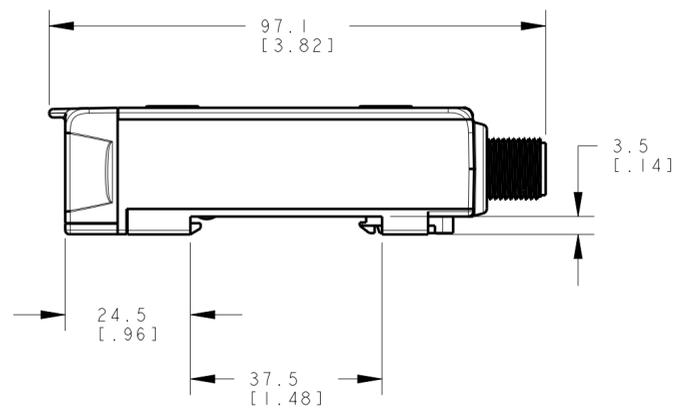
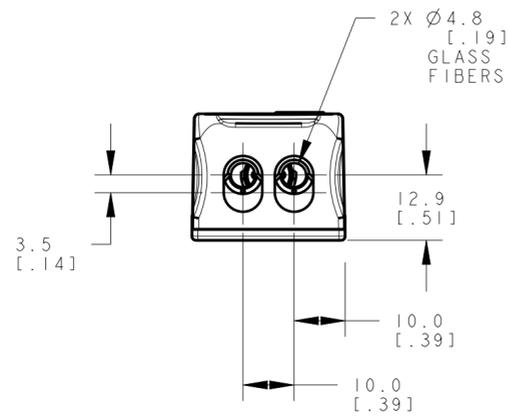
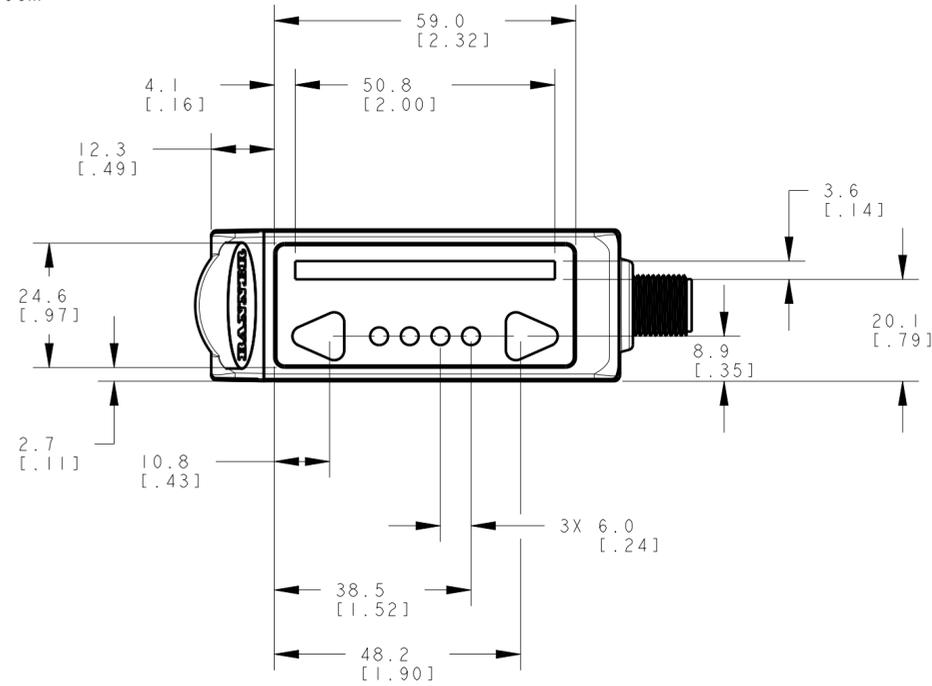


\*BRACKETS SMBR55F01 AND SMBR55FRA SHIPPED WITH PRODUCT  
SOLID MODELS ARE AVAILABLE ON [bannerengineering.com](http://bannerengineering.com)



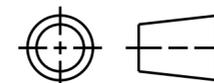
NOTES:  
1. ALL DIMENSIONS ARE MILLIMETERS [INCHES] UNLESS OTHERWISE NOTED.  
2. REFER TO "[www.bannerengineering.com](http://www.bannerengineering.com)" FOR ADDITIONAL DATA AND SPECIFICATIONS.

This drawing is the property of BANNER ENGINEERING CORP. Any use or reproduction, in any form, without prior written permission of Banner is prohibited. © 2015 Banner Engineering Corp.

**BANNER** BANNER ENGINEERING CORP.  
[www.bannerengineering.com](http://www.bannerengineering.com)

TITLE **R55FV OD**

THIRD ANGLE PROJECTION



SIZE C DRAWING NO. **141702** REV. **A**

SCALE 1:1 SHEET 1 OF 1