

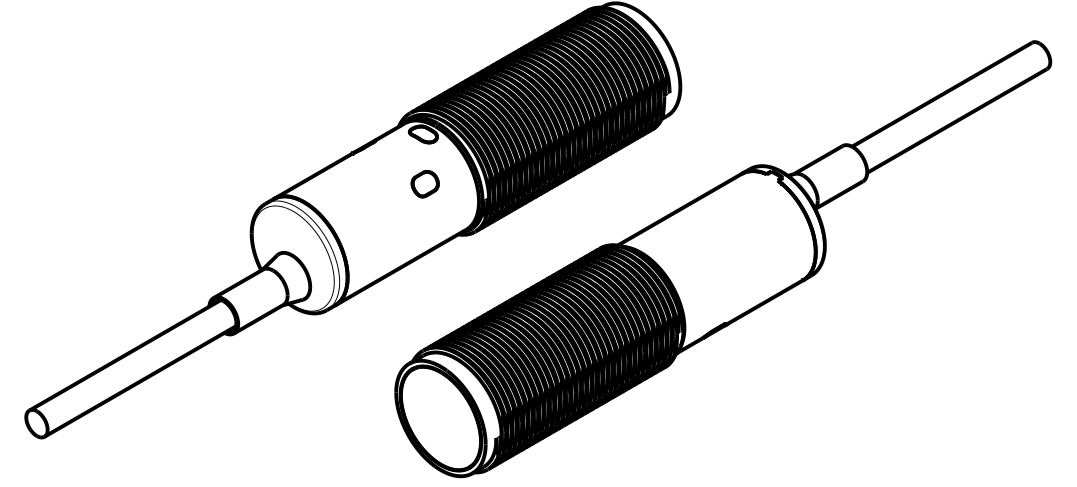
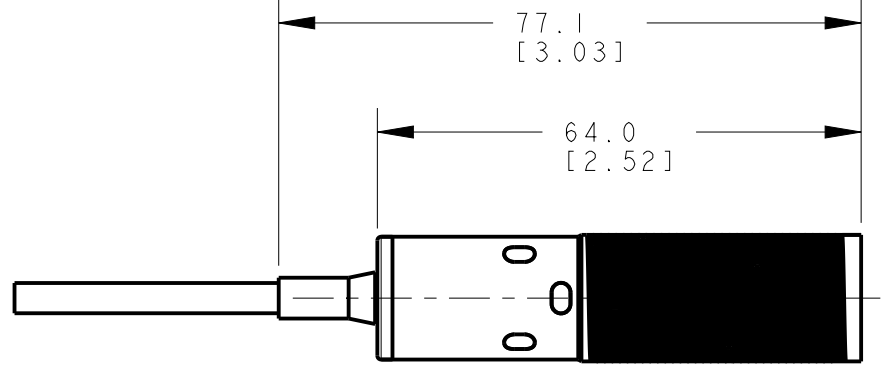
8 | 7 | 6 | 5 | 4 | 3 | 2 | 1

D

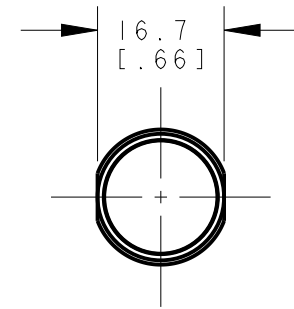
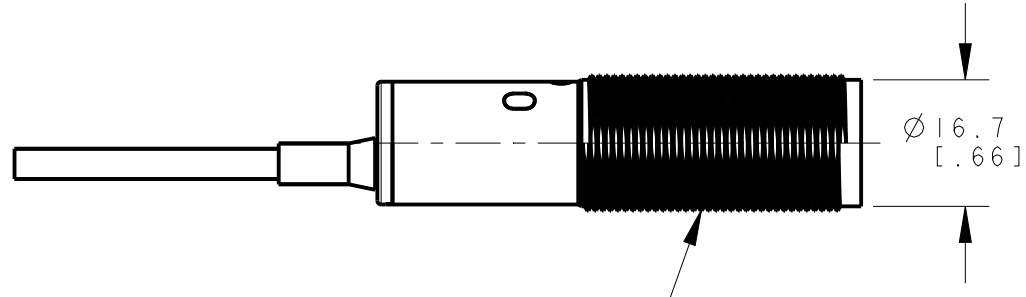
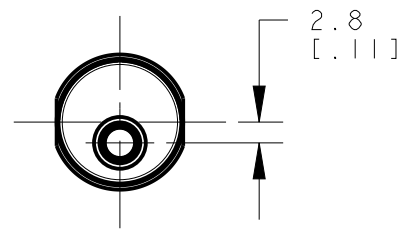
C

B

A



ISOMETRIC VIEWS



M18 X 1-6g
MAX TORQUE 2.3 Nm (20 IN-LBS)

This drawing is the property of BANNER ENGINEERING CORP. Any use or reproduction, in any form, without prior written permission of Banner is prohibited. © 2015 Banner Engineering Corp.

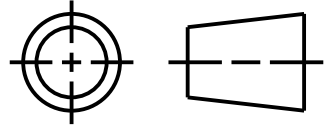
BANNER BANNER ENGINEERING CORP.
www.bannerengineering.com

TITLE
S18-2 LP/LV/FF CABLE/PIGTAIL

SIZE B DRAWING NO. **165909** REV. **B**

SCALE 1:1 SHEET 1 OF 1

THIRD ANGLE PROJECTION



NOTES:
1. ALL DIMENSIONS ARE MILLIMETERS [INCHES] UNLESS OTHERWISE NOTED.
2. REFER TO "www.bannerengineering.com" FOR ADDITIONAL DATA AND SPECIFICATIONS.

8 | 7 | 6 | 5 | 4 | 3 | 2 | 1

CREO