

8 | 7 | 6 | 5 | 4 | 3 | 2 | 1

D

C

B

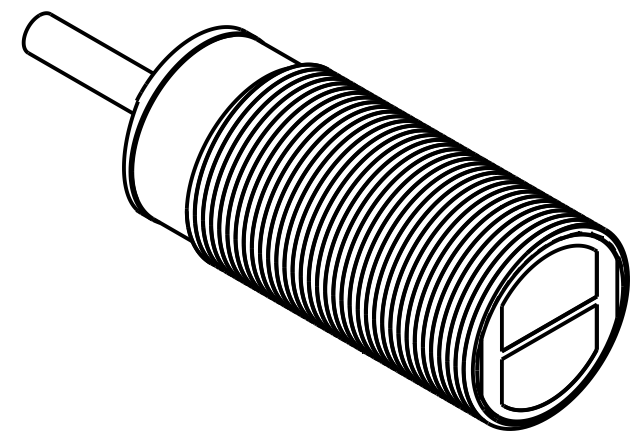
A

D

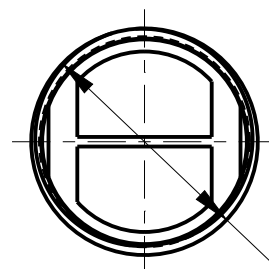
C

B

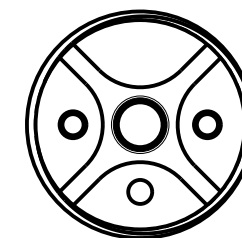
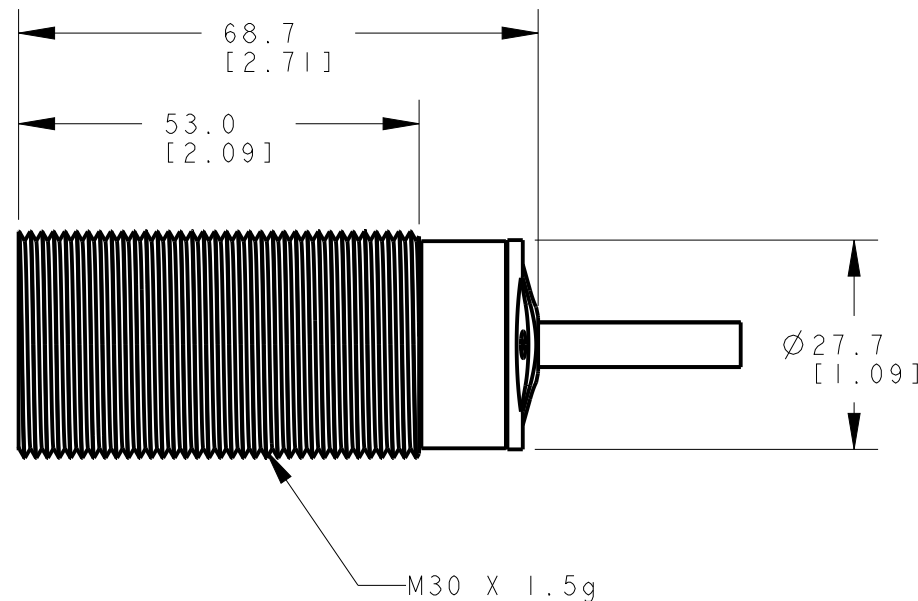
A



ISOMETRIC VIEW  
SCALE 1:1



∅30.0  
[1.18]

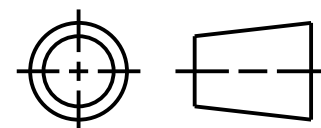


This drawing is the property of BANNER ENGINEERING CORP. Any use or reproduction, in any form, without prior written permission of Banner is prohibited. © 2015 Banner Engineering Corp.



BANNER ENGINEERING CORP.  
www.bannerengineering.com

THIRD ANGLE PROJECTION



TITLE  
**S306LP/FF CABLE/PIGTAIL**

SIZE B DRAWING NO. **156672** REV. **A**

SCALE 1:1 SHEET 1 OF 1

NOTES:  
1. ALL DIMENSIONS ARE MILLIMETERS [INCHES] UNLESS OTHERWISE NOTED.  
2. REFER TO "www.bannerengineering.com" FOR ADDITIONAL DATA AND SPECIFICATIONS.

8 | 7 | 6 | 5 | 4 | 3 | 2 | 1 CREO