

Hinge Wing Safety Interlock Switches



Datasheet

SI-HG80 Series Safety Interlock Switches Encapsulated in a Load-bearing Hinge



Inline QD Fitting Right-angle QD Fitting

- Safety switch is integrated and encapsulated into a load-bearing hinge, providing a high degree of protection from intentional defeat
- Identical in appearance to non-switching blank hinge (see [Accessories](#) on page 5)
- Switch components concealed inside the hinge are protected from mechanical impact, providing superior performance to actuator-activated safety switches; rated IEC IP67
- Hinge operates to a full 180° range of motion; safety switching point (guard-closed position) is adjustable over the full 0° to 180° operating range
- Hinge can support an axial load of 750 N and more than 1,000 N in radial direction
- When properly interfaced or used with an appropriate controller, two SI-HG80D.. switches can achieve safety category 4, per ISO 13849
- Robust zinc die-cast housing is corrosion resistant
- Typical applications include:
 - Hinged covers and guards to machines
 - Hinged doors and gates in safety fencing systems
 - Modular aluminum framing

Models

Model	QD Connection	Contact Configuration (Closed State)	Contact Configuration (Open State)	Switching Diagram
SI-HG80DQD	Inline QD Fitting			
SI-HG80DQDR	Right-angle QD Fitting			



Note: Terminal #3 is non-safety.

Switching Diagram Key

Contacts:



Open



Closed



Transition

Important Information Regarding the Use of Safety Switches

In the United States, the functions that Banner safety switches are intended to perform are regulated by the Occupational Safety and Health Administration (OSHA). Whether or not any particular safety switch installation meets all applicable OSHA requirements depends upon factors that are beyond the control of Banner Engineering Corp. These factors include the details of how the safety switches are applied, installed, wired, operated, and maintained.



**WARNING:**

- **Read this Section Carefully Before Installing the System**
- **Failure to follow these instructions could result in serious injury or death.**
- If all mounting, installation, interfacing, and checkout procedures are not followed properly, this Banner device cannot provide the protection for which it was designed.
- The user is responsible for ensuring that all local, state, and national laws, rules, codes, or regulations relating to the installation and use of this control system in any particular application are satisfied. Ensure that all legal requirements have been met and that all technical installation and maintenance instructions contained in this manual are followed.
- The user has the sole responsibility to ensure that this Banner device is installed and interfaced to the guarded machine by Qualified Persons, in accordance with this manual and applicable safety regulations. A Qualified person is a person who, by possession of a recognized degree or certificate of professional training, or who, by extensive knowledge, training and experience, has successfully demonstrated the ability to solve problems relating to the subject matter and work.

Banner Engineering Corp. recommends that safety switches be applied according to the guidelines set forth in international (ISO/IEC) standards listed below. Specifically, Banner Engineering Corp. recommends application of these safety switches in a configuration which meets safety category 4, per ISO 13849.

It is the responsibility of the machine designer, controls engineer, machine builder, and/or maintenance electrician to apply and maintain this product in full compliance with all applicable regulations and standards. The product can provide the required safety function only if it is properly installed, properly operated, and properly maintained. This manual attempts to provide complete installation, operational, and maintenance instructions. Reading the manual completely is highly recommended. Please direct any questions regarding the application or use of this product to a Banner Engineering Applications Engineer at the locations listed in this document.

Application Assistance
Toll Free: 1-888-3-SENSOR (1-888-373-6767)
Email: sensors@bannerengineering.com
9714 Tenth Avenue North
Minneapolis, MN 55441

U.S. Regulations Applicable to Use of Banner Safety Switches

OSHA Code of Federal Regulations: Title 29, Parts 1900 to 1910

Available from: Superintendent of Documents, Government Printing Office, P.O. Box 371954, Pittsburgh, PA 15250-7954, Tel: 202-512-1800

U.S. Standards Applicable to Use of Banner Safety Switches

ANSI B11 Standards for Machine Tools Safety

ANSI B11.19 Performance Criteria for Safeguarding

NFPA 79 Electrical Standard for Industrial Machinery

ANSI/RIA R15.06 Safety Requirements for Industrial Robots and Robot Systems

Contact: Safety Director, AMT – The Association for Manufacturing Technology, 7901 Jones Branch Drive, Suite 900, McLean, VA 22102-4206 USA, www.amtonline.org

Applicable European and International Standards

EN ISO 12100 Safety of Machinery – Basic Concepts, General Principles for Design

ISO 13852 (EN 294) Safety of Machinery— Safety Distances to Prevent Danger Zones Being Reached by the Upper Limbs

ISO 13853 (EN 811) Safety of Machinery— Safety Distances to Prevent Danger Zones Being Reached by the Lower Limbs

ISO 13857 Safety of Machinery – Safety Distances to Prevent Hazard Zones Being Reached

EN ISO 13849-1 Safety-Related Parts of Control Systems

EN 13855 (EN 999) The Positioning of Protective Equipment in Respect to Approach Speeds of Parts of the Human Body

ISO 14119 (EN 1088) Interlocking Devices Associated with Guards – Principles for Design and Selection

EN 60204-1 Electrical Equipment of Machines Part 1: General Requirements

IEC 60947-5-1 Low Voltage Switchgear – Electromechanical Control Circuit Devices

ISO 14120 Safety of machinery – Guards – General requirements for the design and construction of fixed and movable guards

Contact: IHS Markit (Global Engineering Documents), 15 Inverness Way East, Englewood, CO 80112 USA, <https://global.ihs.com/>

Mechanical Installation

**WARNING:**

- **The hazard must be accessible only through the sensing field**
- Incorrect system installation could result in serious injury or death.
- The installation of the SI-HG80 must prevent any individual from reaching around, under, over or through the defined area and into the hazard without being detected.
- See OSHA CFR 1910.217, ANSI B11.19, and/or ISO 14119, ISO 14120 and ISO 13857 for information on determining safety distances and safe opening sizes for your guarding device. Mechanical barriers (for example, hard (fixed) guarding) or supplemental safeguarding might be required to comply with these requirements.

All mounting hardware is supplied by the user. Fasteners must be of sufficient strength to guard against breakage. Use of permanent fasteners or locking hardware is recommended to prevent loosening or displacement of the actuator and the switch body. The mounting holes in the switch body and the actuator accept M6 screws (see [Dimensions](#) on page 5).

Ensure that excessive force is not exerted by the weight and swing of the guard, gate, or door (see [Specifications](#) on page 5).

Position blank hinges (if used) and the hinge switch(es) on the guard or gate while it is in its fully closed and latched position. Verify that the axis of rotation is identical for all hinges used. (Typically, this can be accomplished by using a straight edge along the long flat edge to ensure the switch bodies are parallel.) After the mounting hardware is secure, check the rotation of the guard or gate for misalignment and binding.



Note: A safety switch must be installed in a manner that discourages tampering or defeat.



**CAUTION:
End Stops.**

Do not use the switch as an end stop. The operating angle of the switch must be limited by outer end stops.

Setting the Switch Point



**CAUTION:
Remove Set Screw Head.**

Shear off the hexagonal head of the set screw after it is set, and before using the switch. If not, the safe activation of the switch cannot be ensured.

Figure 1. Hinge switch with set screw head in place



1. Ensure the hinge switches (and blind hinges, if used) are properly mounted and the guard or gate swings freely throughout its range of motion without binding. If binding is noticed, repeat the mechanical installation procedures.
2. Place the guard in its closed and latched position. After the switch point is set, it cannot be changed. Before proceeding, verify the installation is correct and the resulting switching action is what is expected.
3. Tighten the hexagonal set screw head with a 13 mm open-ended wrench (rotate clockwise when switch is mounted vertically and the nut is on top). See Figure 1 on page 3.
4. Continue tightening until the set screw head shears completely off the switch (approximately 22 N-m). When the screw head shears off, the switch point is set.



Note: After you start tightening the set screw, do not change the position of the switch until the setting process is complete.

Electrical Installation



CAUTION:

- **Safety switch installation**
- Using only one safety switch per interlock guard is not recommended.
- Use two safety switches for each interlock guard to achieve control reliability or Safety Category 4 (per ISO 13849-1) of a machine stop circuit.
- In addition, normally-closed (N.C.) safety contacts from each of the two safety switches should be connected to the two separate inputs of a two-channel safety monitoring device. This is required to monitor for safety switch contact failure and to provide the necessary reset routine, as required by IEC 60204-1 and NFPA 79 machine safety standards.



WARNING:

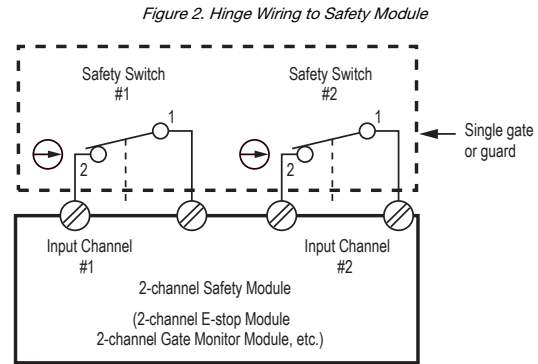
- **Connecting safety switches in series**
- Monitoring multiple guards with a series connection of multiple safety interlock switches is not a Safety Category 4 Application (per ISO 13849-1). A single failure can be masked or not detected at all. The loss of a safety stop signal or an inappropriate reset can lead to serious injury or death.
- When such a configuration is used, procedures must be performed regularly to verify proper operation of each switch. Correct all failures immediately (for example, immediately replace a failed switch).

As shown, a normally-closed (N.C.) safety contact (that is, a safety contact that is closed when the actuator is engaged) from each of two safety switches per interlock guard must connect to a 2-channel safety module or safety interface to achieve a control reliable interface to the master stop control elements of a machine. Examples of appropriate safety modules include 2-channel emergency stop (E-stop) safety modules and gate monitor safety modules.

Two functions of the safety module or safety interface are to:

1. provide a means of monitoring the contacts of both safety switches for contact failure, and to prevent the machine from restarting if either switch fails; and
2. provide a reset routine after closing the guard and returning the safety switch contacts to their closed position. This prevents the controlled machinery from restarting by simply closing the guard. This necessary reset function is required by ANSI B11 and NFPA 79 machine safety standards.

Use only the positively driven, normally closed safety contact (between pins 1 and 2) from each switch for connection to the safety module. A typical use of the normally open (N.O.) contact is to communicate with a process controller. Refer to the installation instructions provided with the safety modules for more information regarding the interface of the safety module to the machine stop control elements.



Connect two redundant safety switches per interlock guard to an appropriate 2-channel input safety module.

Refer to the installation instructions provided with the safety module for information regarding the interface of the safety module to the machine stop control elements.

Periodic Checks

A designated person ¹ should perform the following safety switch checks at each shift change or machine setup.

Banner Engineering highly recommends performing the System checkouts as described. However, a qualified person ² (or team) should evaluate these generic recommendations considering their specific application and determine the appropriate frequency of checkouts. This will generally be determined by a risk assessment, such as the one contained in ANSI B11.0. The result of the risk assessment will drive the frequency and content of the periodic checkout procedures and must be followed.

1. Check the switch body for damaged or broken parts.
2. Confirm the safety switch is not being used as an end stop.
3. Verify it is not possible to reach any hazard point through an opened guard (or any opening) before hazardous machine motion has completely stopped.
4. Verify the hinge swings freely throughout its total operating range.
5. Tighten any loosened mounting hardware.
6. Check for signs of deterioration or damage.
7. Check for signs of tampering or defeat to the switch or to the wiring interface to the machine.

Repairs

Contact Banner Engineering for troubleshooting of this device. **Do not attempt any repairs to this Banner device; it contains no field-replaceable parts or components.** If the device, device part, or device component is determined to be defective by a Banner Applications Engineer, they will advise you of Banner's RMA (Return Merchandise Authorization) procedure.



Important: If instructed to return the device, pack it with care. Damage that occurs in return shipping is not covered by warranty.



WARNING:

- **Do not abuse the module after failure**—If an internal fault has occurred and the module will not reset, do not tap, strike, or otherwise attempt to correct the fault with a physical impact to the housing.
- Failure to follow these instructions could result in serious injury or death.
- An internal relay might have failed in such a manner that its replacement is required. If the module is not immediately replaced or repaired, multiple simultaneous failures might accumulate such that the safety function cannot be guaranteed.

¹ A designated person is identified in writing by the employer as being appropriately trained to perform a specified checkout procedure.

² A person who, by possession of a recognized degree or certificate of professional training, or who, by extensive knowledge, training and experience, has successfully demonstrated the ability to solve problems relating to the subject matter and work

Specifications

Contact Rating

Rated Isolation Voltage (U_i): 250 V
 Rated Impulse Withstand Voltage (U_{imp}): 2.5 kV
 Conventional Thermal Current (I_{th}): 3A
 Rated Supply Voltage (U_e): 230 V AC, 60 V DC
 Utilization Category:
 DC-13, 60 V DC/0.5 A
 AC-15, 230 V AC/1.5 A

Short Circuit Protection

4 A gG melting fuse. Recommended external fusing or overload protection.
 Rated Conditional Short-Circuit Current: 1000 A

Wire Connections

4-pin Micro-style quick-disconnect (QD) fitting. Cables are ordered separately; see [Accessories](#) on page 5

Weight

0.40 kg (0.88 lb)

B10_d

2 × 10⁶ cycles (at 10% of the nominal electrical load)

Application Notes

To avoid excessive radial stress in applications containing large doors, the hinge switch should be mounted either in pairs of two, or in conjunction with a blank hinge (see [Accessories](#) on page 5).

Minimum Switching Speed

20 operations per minute

Mechanical Life

1 million operations

Force Exerted by Guard per Switch

Axial: 750 N (165 lbf) maximum
 Radial: 1000 N (220 lbf) maximum

Operating Range

0° to 180°

Construction

Zinc Die-cast (GD-Zn)

Environmental Rating

NEMA 4, IEC IP67

Operating Conditions

Temperature: -25° to +70° C (-13° to +158° F)

Certifications



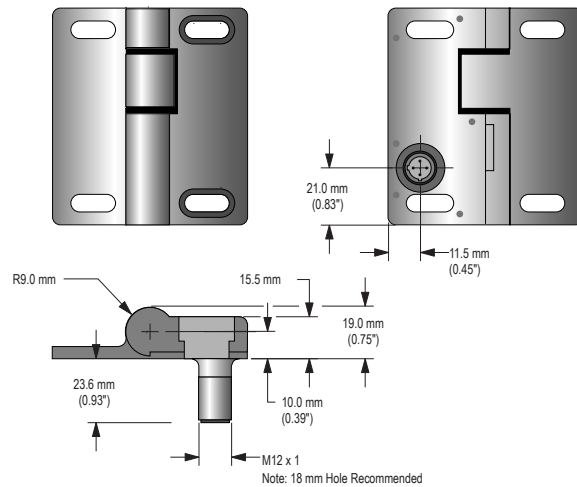
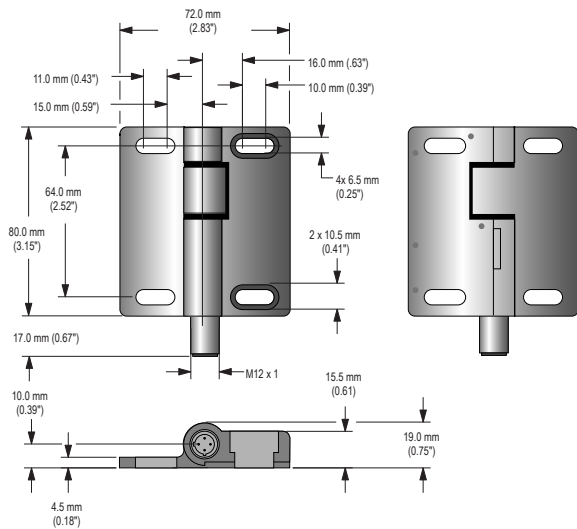
Banner Engineering, Europe, Belgium BV Park Ln.,
 Culliganian 2F bus 3 Diagem BE 1831

Turck Banner LTD, CA Blenheim House, Blenheim Court,
 Wickford, Essex SS11 8YT, Great Britain

Dimensions

Model SI-HG80DQD

Model SI-HG80DQDR



Accessories

4-Pin M12 Dual Key Cordsets—Single Ended

Model	Length	Style	Dimensions	Pinout (Female)
MQEAC-406	1.83 m (6 ft)	Straight		
MQEAC-415	4.57 m (15 ft)			
MQEAC-430	9.14 m (30 ft)			

4-Pin M12 Dual Key Cordsets—Single Ended					
Model	Length	Style	Dimensions	Pinout (Female)	
MQEAC-406RA	1.83 m (6 ft)	Right-Angle			
MQEAC-415RA	4.57 m (15 ft)				
MQEAC-430RA	9.14 m (30 ft)				

Blank Hinge		
Model	Description	Dimensions
SI-HG80A	Same mechanical specifications as SI-HG80 Series Hinge Switches	

EU/UK Declaration of Conformity (DoC)

Banner Engineering Corp. herewith declares that these products are in conformity with the provisions of the listed directives, regulations, and all essential health and safety requirements have been met. For the complete DoC, please go to www.bannerengineering.com.

Product	Directive
SI-HG80	EU: Machinery Directive 2006/42/EC UK: Machinery (Safety) Regulations 2008

Representative in EU: Spiridon Lachanidis, Managing Director, **Banner Engineering Europe** Park Lane, Culliganlaan 2F bus 3, 1831 Diegem, BELGIUM

Representative in UK: Tony Coghlan, Managing Director, **Turck Banner LTD** Blenheim House, Blenheim Court, Wickford, Essex SS11 8YT, Great Britain

Banner Engineering Corp. Limited Warranty

Banner Engineering Corp. warrants its products to be free from defects in material and workmanship for one year following the date of shipment. Banner Engineering Corp. will repair or replace, free of charge, any product of its manufacture which, at the time it is returned to the factory, is found to have been defective during the warranty period. This warranty does not cover damage or liability for misuse, abuse, or improper application or installation of the Banner product.

THIS LIMITED WARRANTY IS EXCLUSIVE AND IN LIEU OF ALL OTHER WARRANTIES WHETHER EXPRESS OR IMPLIED (INCLUDING, WITHOUT LIMITATION, ANY WARRANTY OF MERCHANTABILITY OR FITNESS FOR A PARTICULAR PURPOSE), AND WHETHER ARISING UNDER COURSE OF PERFORMANCE, COURSE OF DEALING OR TRADE USAGE.

This Warranty is exclusive and limited to repair or, at the discretion of Banner Engineering Corp., replacement. **IN NO EVENT SHALL BANNER ENGINEERING CORP. BE LIABLE TO BUYER OR ANY OTHER PERSON OR ENTITY FOR ANY EXTRA COSTS, EXPENSES, LOSSES, LOSS OF PROFITS, OR ANY INCIDENTAL, CONSEQUENTIAL OR SPECIAL DAMAGES RESULTING FROM ANY PRODUCT DEFECT OR FROM THE USE OR INABILITY TO USE THE PRODUCT, WHETHER ARISING IN CONTRACT OR WARRANTY, STATUTE, TORT, STRICT LIABILITY, NEGLIGENCE, OR OTHERWISE.**

Banner Engineering Corp. reserves the right to change, modify or improve the design of the product without assuming any obligations or liabilities relating to any product previously manufactured by Banner Engineering Corp. Any misuse, abuse, or improper application or installation of this product or use of the product for personal protection applications when the product is identified as not intended for such purposes will void the product warranty. Any modifications to this product without prior express approval by Banner Engineering Corp will void the product warranties. All specifications published in this document are subject to change. Banner reserves the right to modify product specifications or update documentation at any time. Specifications and product information in English supersede that which is provided in any other language. For the most recent version of any documentation, refer to: www.bannerengineering.com.

For patent information, see www.bannerengineering.com/patents.