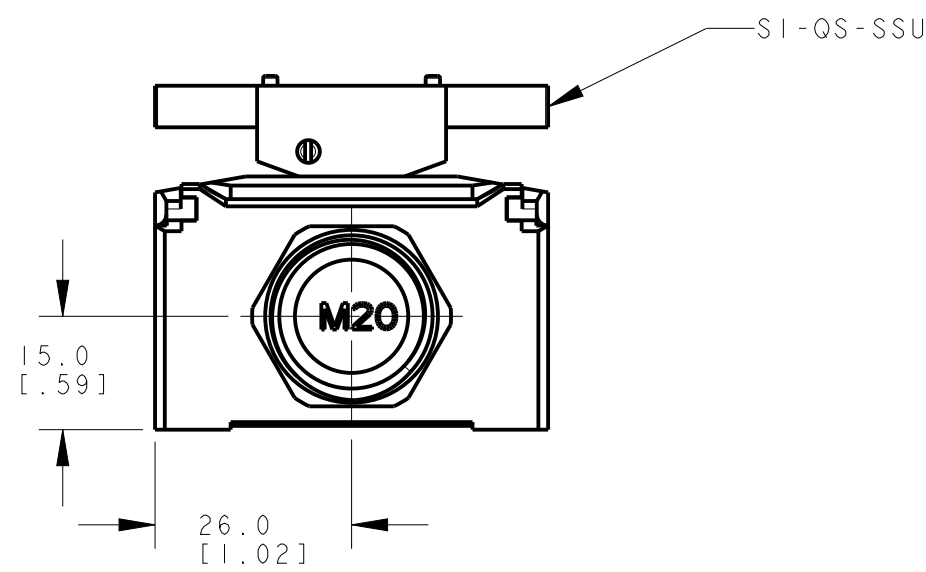
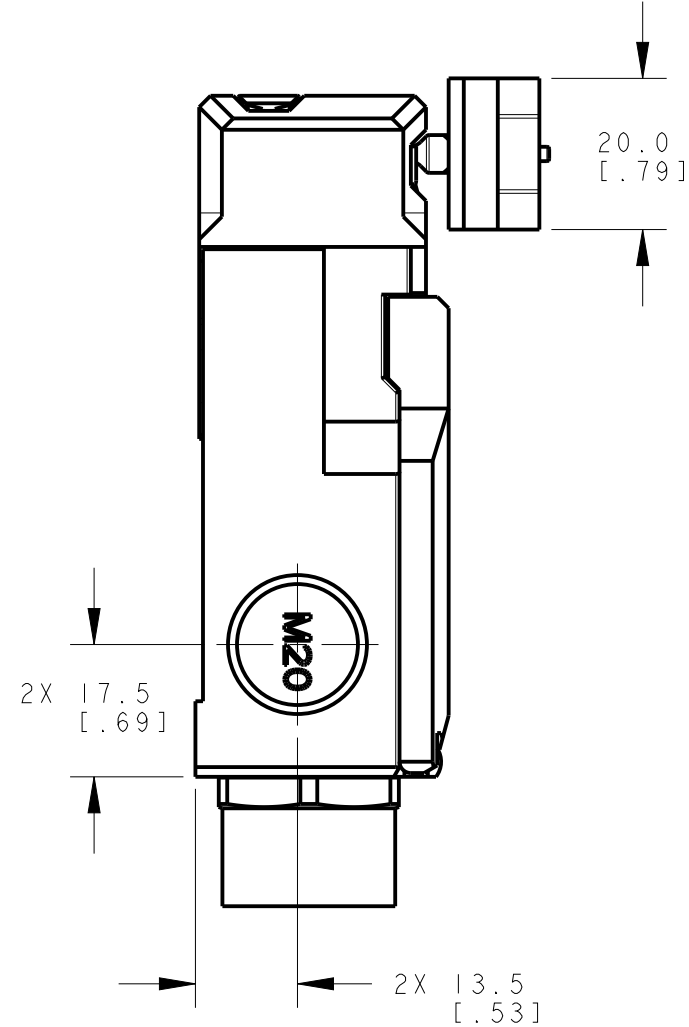
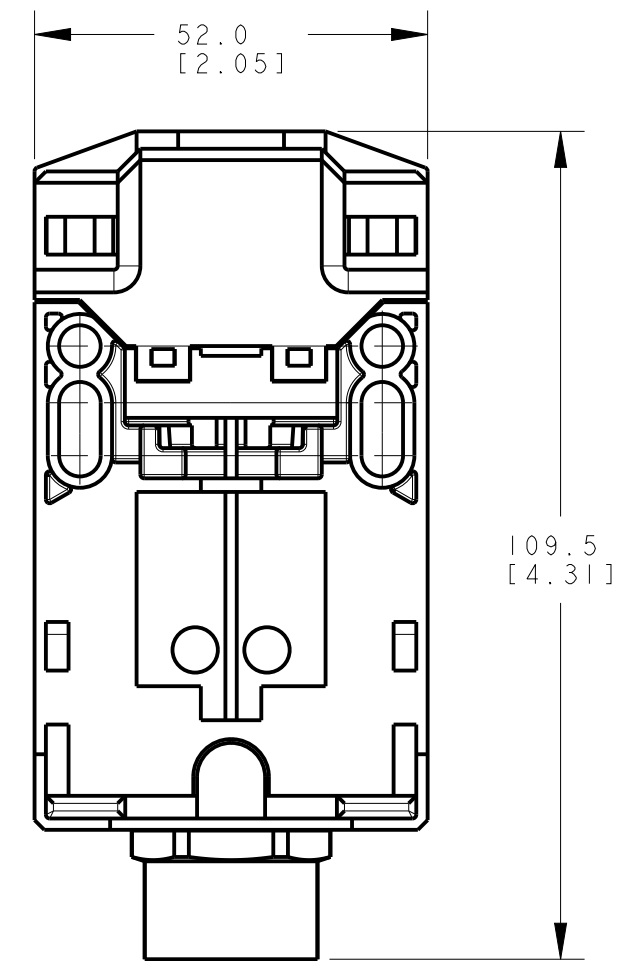
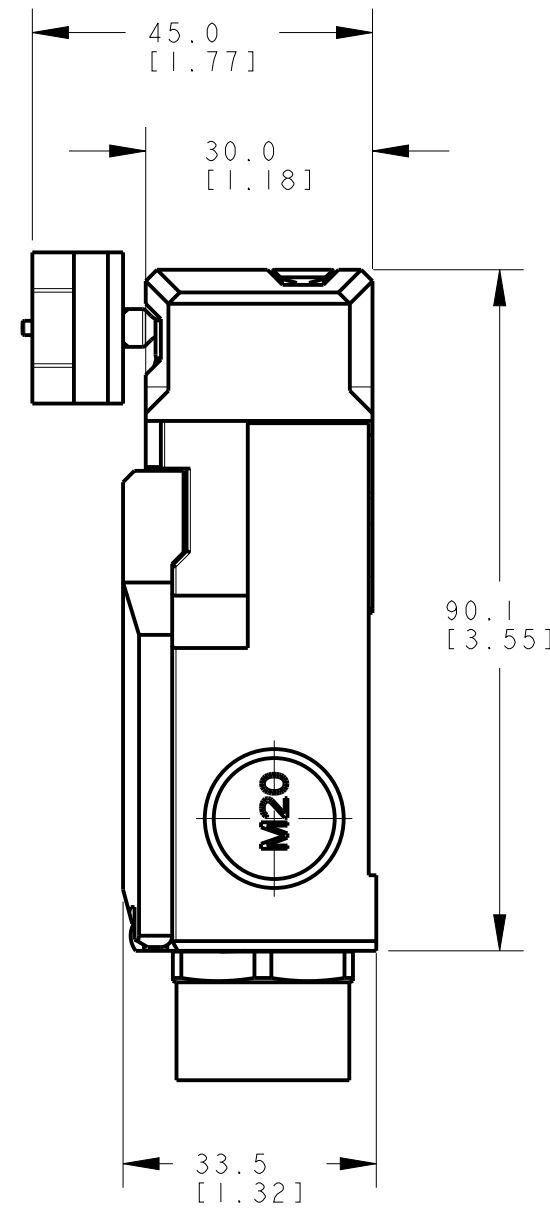
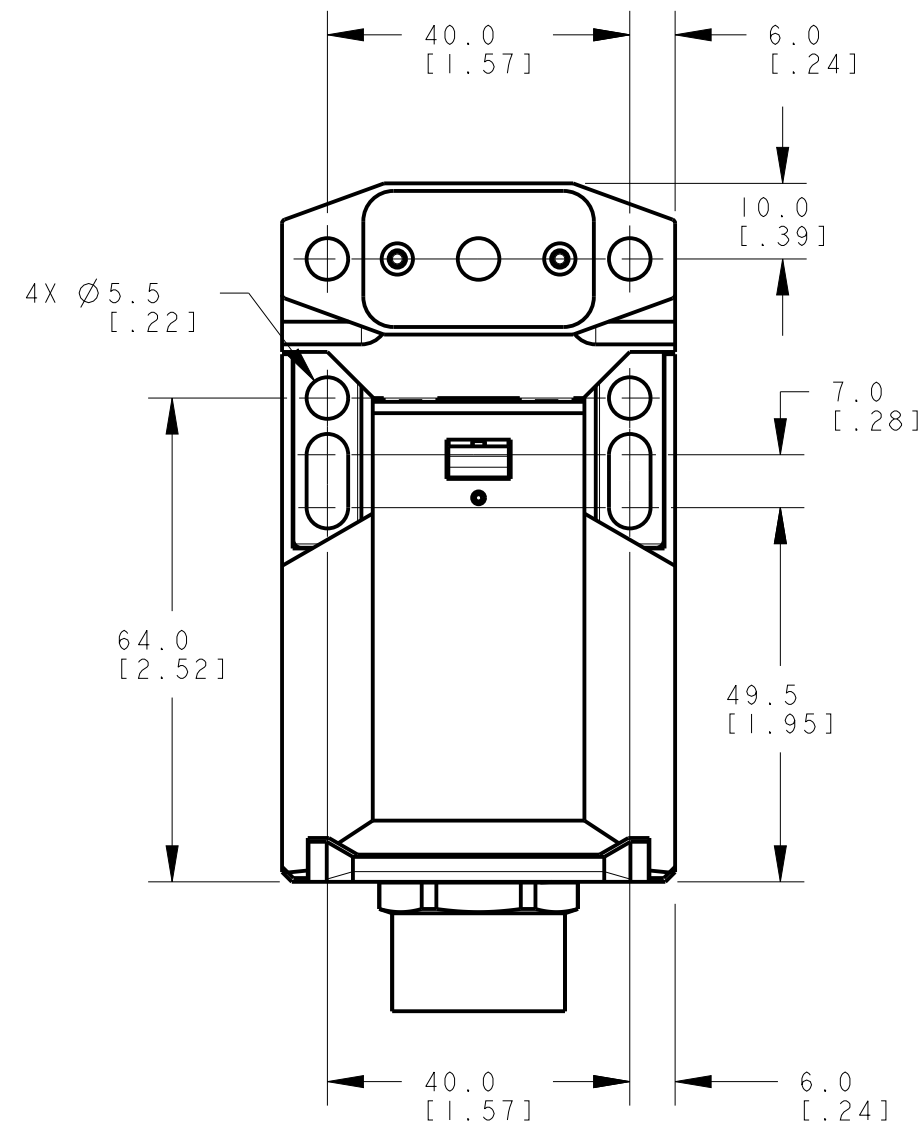
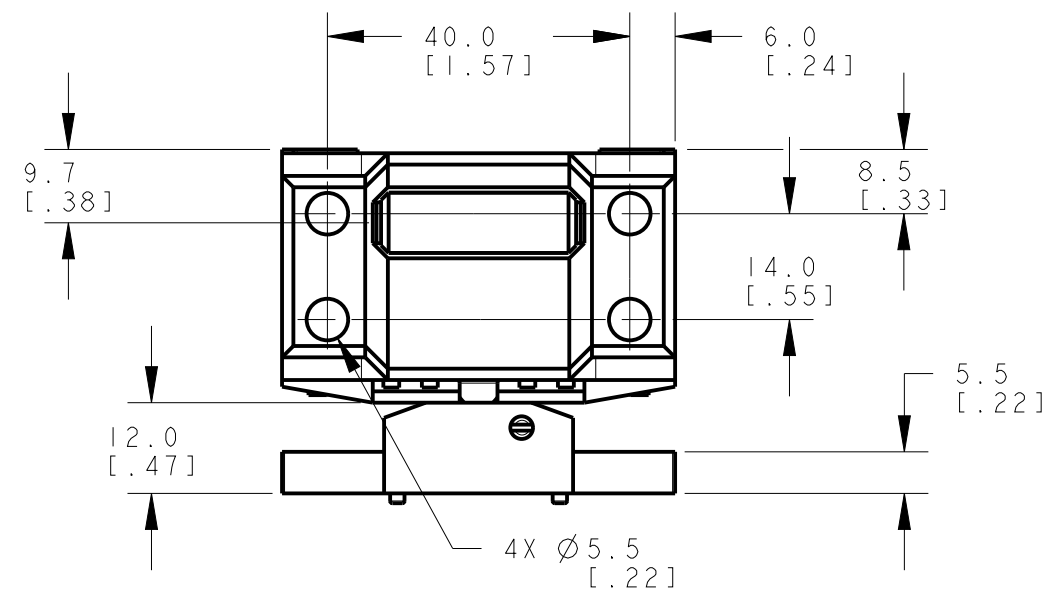
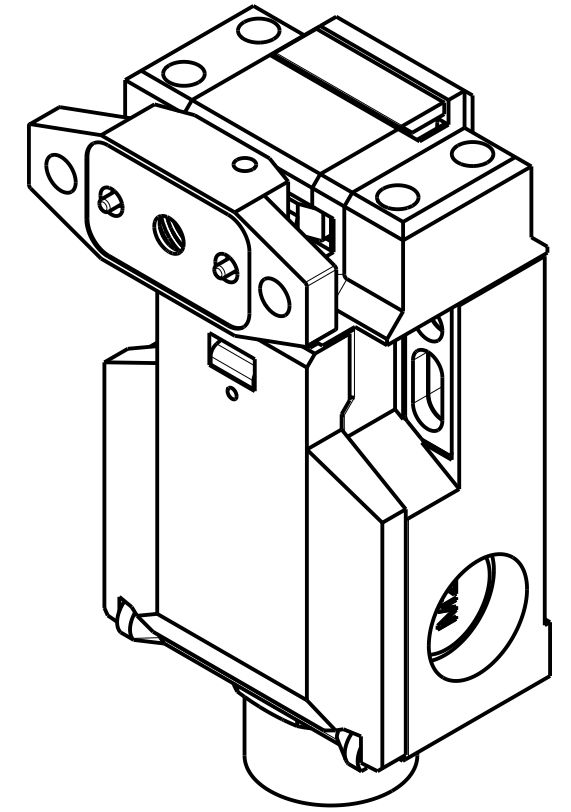


NOTE:
 CONDUIT ADAPTER (SI-QS-M20) SHOWN IN BOTTOM PORT.
 THIS PART MAY BE INSTALLED IN THE PORTS ON EITHER SIDE OF THE SWITCH ALSO.



NOTES:
 1. ALL DIMENSIONS ARE MILLIMETERS [INCHES] UNLESS OTHERWISE NOTED.
 2. REFER TO "www.bannerengineering.com" FOR ADDITIONAL DATA AND SPECIFICATIONS.

This drawing is the property of BANNER ENGINEERING CORP. Any use or reproduction, in any form, without prior written permission of Banner is prohibited. © 2015 Banner Engineering Corp.



BANNER ENGINEERING CORP.
 www.bannerengineering.com

TITLE		
SI-QS90MF SERIES		
SIZE C	DRAWING NO. 192592	REV. A
SCALE 1:1	SHEET 1 OF 1	

THIRD ANGLE PROJECTION

