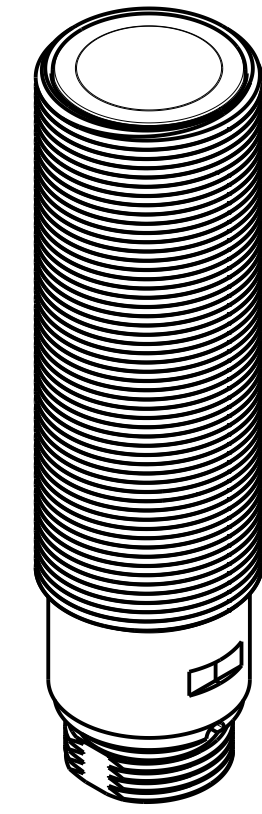
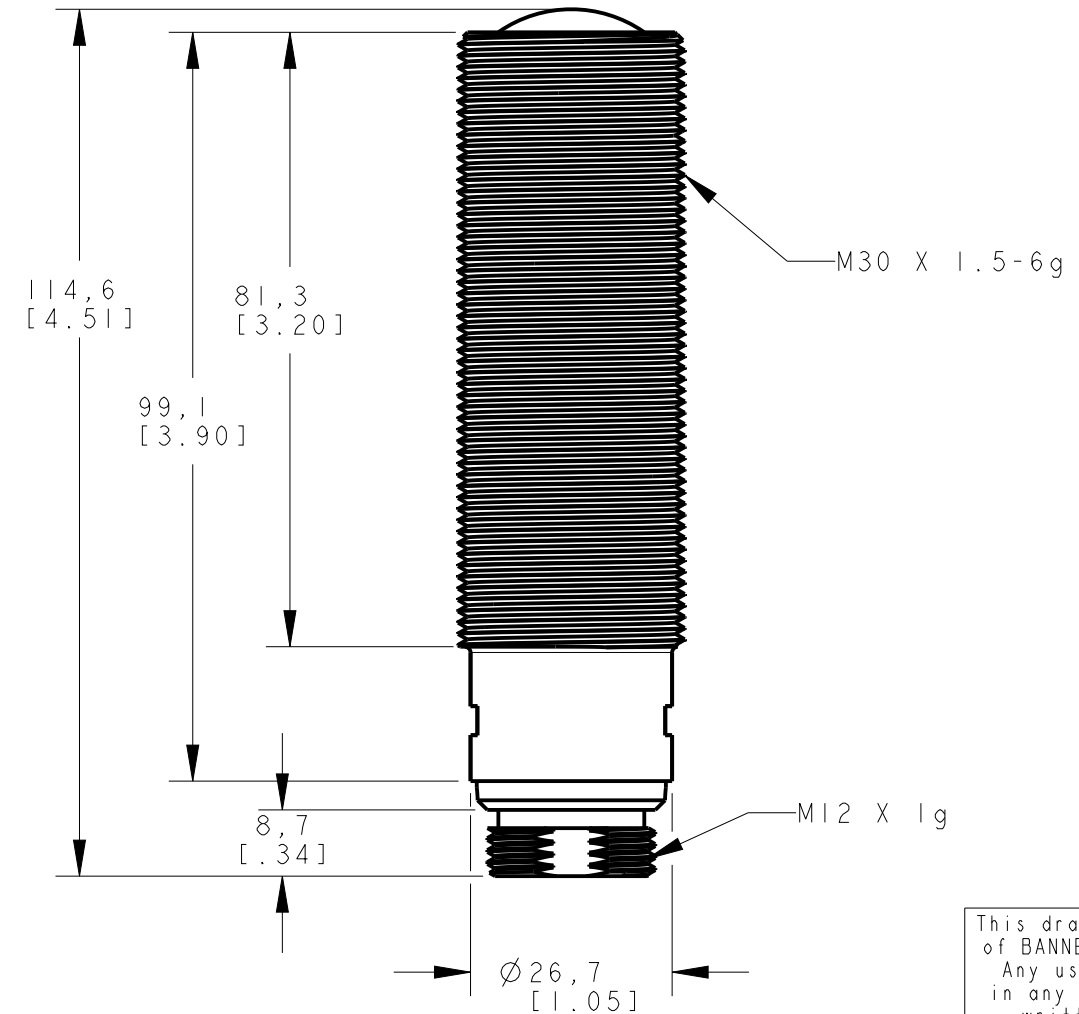
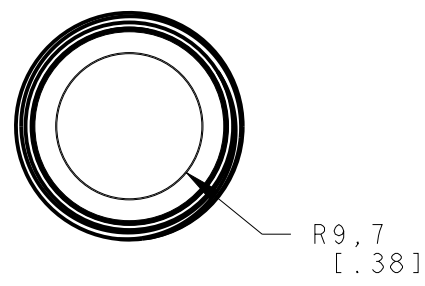


8 7 6 5 4 3 2 1

D
C
B
A

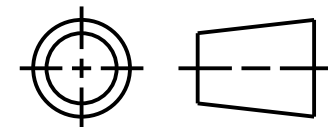


ISOMETRIC VIEW
SCALE 1:1

This drawing is the property of BANNER ENGINEERING CORP. Any use or reproduction, in any form, without prior written permission of Banner is prohibited. © 2015 Banner Engineering Corp.

BANNER BANNER ENGINEERING CORP.
www.bannerengineering.com

THIRD ANGLE PROJECTION



TITLE
SMA/SM2/SM1/SM30 OD

| | | |
|-----------|------------------------------|------------------|
| SIZE B | DRAWING NO. 156693 | REV. A |
| SCALE 1:1 | | SHEET 1 OF 1 |

NOTES:
1. ALL DIMENSIONS ARE MILLIMETERS [INCHES] UNLESS OTHERWISE NOTED.
2. REFER TO "www.bannerengineering.com" FOR ADDITIONAL DATA AND SPECIFICATIONS.

8 7 6 5 4 3 2 1 CREO