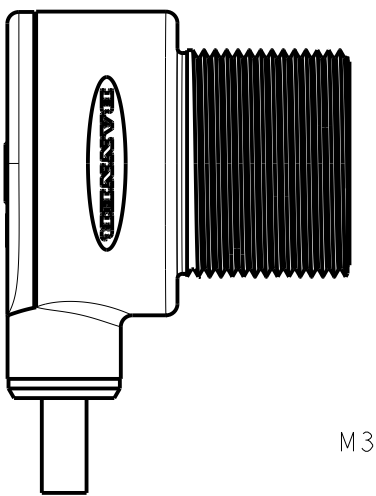
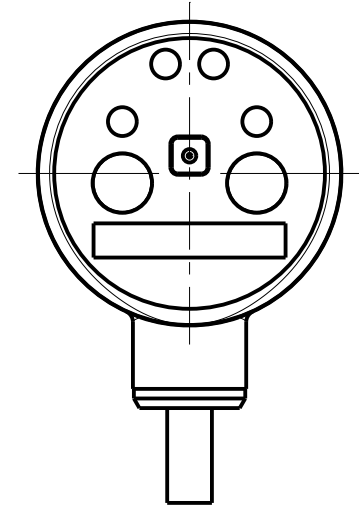
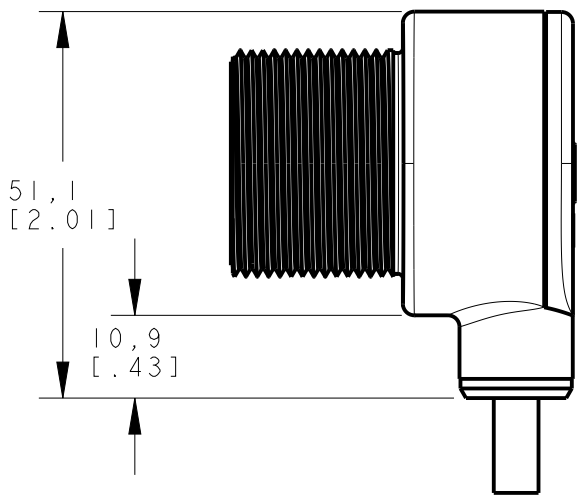
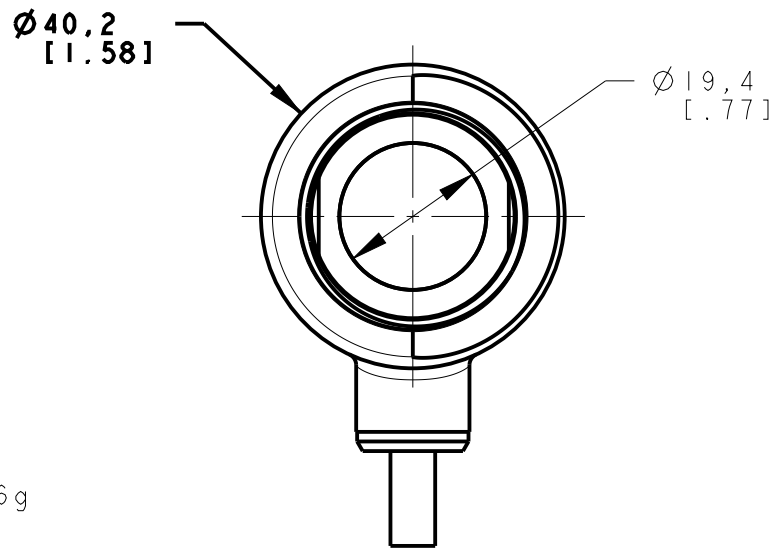
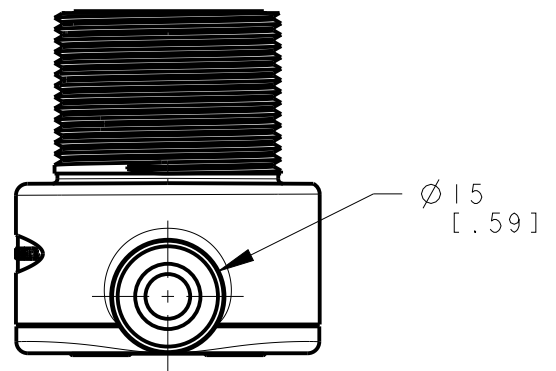


ISOMETRIC VIEW
SCALE 1:1



M30 X 1.5-6g



This drawing is the property of BANNER ENGINEERING CORP. Any use or reproduction, in any form, without prior written permission of Banner is prohibited. © 2015 Banner Engineering Corp.

BANNER BANNER ENGINEERING CORP.
www.bannerengineering.com

TITLE
**T30U NB/PB CABLE/PIGTAIL
WEB CAD DRAWINGS 2D/3D**

SIZE B DRAWING NO. **156726** REV.

SCALE 1:1 SHEET 1 OF 1 CREO

NOTES:
1. ALL DIMENSIONS ARE MILLIMETERS [INCHES] UNLESS OTHERWISE NOTED.
2. REFER TO "www.bannerengineering.com" FOR ADDITIONAL DATA AND SPECIFICATIONS.