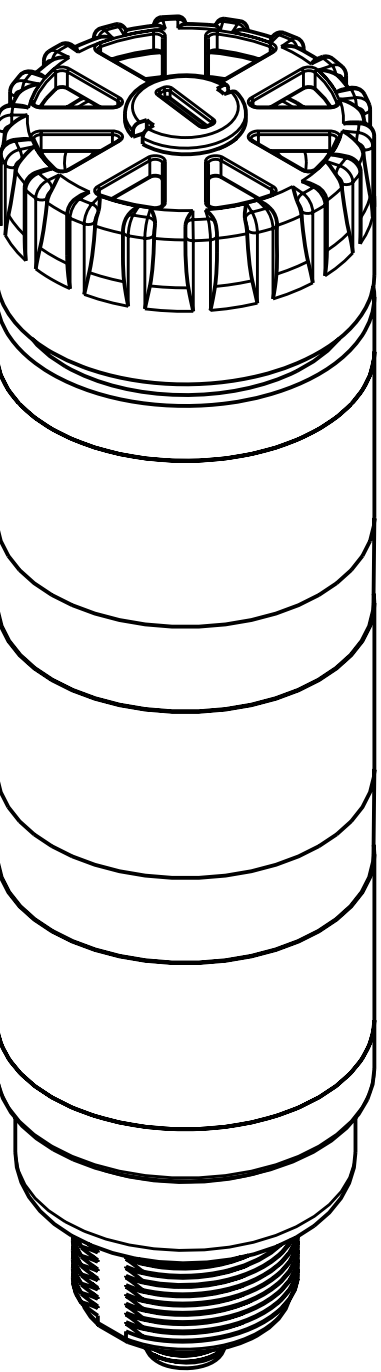

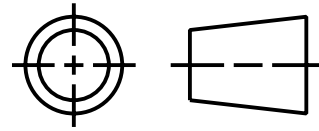


NOTES:
 1. ALL DIMENSIONS ARE MILLIMETERS [INCHES] UNLESS OTHERWISE NOTED.
 2. HEIGHT WITH TOP UNSCREWED APPROXIMATELY 3.5mm TO ALLOW SOUND TO ESCAPE.



ISOMETRIC VIEW
 SCALE 1:1

This drawing is the property of BANNER ENGINEERING CORP. and is proprietary in general and in detail. Its contents shall not be revealed to outside parties without written consent of BANNER.		 BANNER ENGINEERING CORP. P.O. BOX 9414 MINNEAPOLIS, MN 55440	
THIRD ANGLE PROJECTION 		TITLE TL50 3-STACK OD AUDIBLE WEB CAD DRAWINGS 2D/3D	
SIZE C	DRAWING NO. 145175	REV. A	
SCALE 1:1		SHEET 1 OF 1	